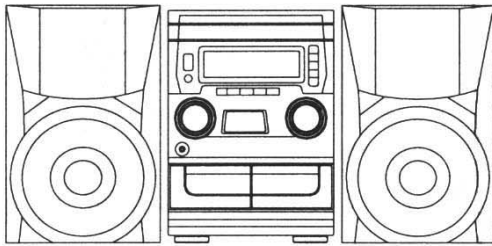


aiwa



NSX-A555 NSX-S555



COMPACT DISC STEREO SYSTEM

- BASIC TAPE MECHANISM : 6ZM-3 PR1NM/2ZM -3MK2 PR4N
- BASIC CD MECHANISM : 4ZG - 1 Z3RDSHM
- TYPE: U,LH

REVISION PUBLISHING

SYSTEM	CD - CASSEIVER	SPEAKER
NSX-A555	CX-NA555	SX-WNA555
NSX-S555	CX-NS555	SX-WNS555

- This Service Manual is the "Revision Publishing" and replaces "Simple Manual" (S/M Code No. 09-98A-309-20A).
- If requiring information about the CD mechanism, see Service Manual of 4ZG-1 (S/M Code No. 09-983-249-3S2).

MANUAL
SERVICE

TABLE OF CONTENTS

SPECIFICATIONS	3
PROTECTION OF EYES FROM LASER BEAM DURING SERVICING	4
PRECAUTION TO REPLACE OPTICAL BLOCK	4
NOTE ON BEFORE SERVICING	5
ELECTRICAL MAIN PARTS LIST	7
TRANSISTOR ILLUSTRATION	11
FL GRID ASSIGNMENT	12
ANODE CONNECTION	13
BLOCK DIAGRAM – 1 (TUNER)	14
BLOCK DIAGRAM – 2 (MAIN/FRONT)	15
WIRING – 1 (MAIN<U>).....	17
SCHEMATIC DIAGRAM – 1 (MAIN<U>).....	19
SCHEMATIC DIAGRAM – 2 (MAIN<LH>).....	22
WIRING – 2 (MAIN<LH>).....	25
WIRING – 3 (FRONT<U>).....	27
SCHEMATIC DIAGRAM – 3 (FRONT<U>).....	29
SCHEMATIC DIAGRAM – 4 (FRONT<LH>).....	32
WIRING – 4 (FRONT<LH>).....	35
WIRING – 5 (DECK<U>).....	37
WIRING – 6 (DECK<LH>).....	38
SCHEMATIC DIAGRAM – 5 (DECK).....	39
WIRING – 7 (PS<U>).....	41
SCHEMATIC DIAGRAM – 6 (PS<U>).....	42
WIRING – 8 (PS<LH>).....	43
SCHEMATIC DIAGRAM – 7 (PS<LH>).....	44
WIRING – 9 (TUNER).....	45
SCHEMATIC DIAGRAM – 8 (TUNER).....	47
SCHEMATIC DIAGRAM – 9 (TUNER FRONT END).....	49
IC BLOCK DIAGRAM.....	50
IC DESCRIPTION.....	53
PRACTICAL SERVICE FIGURE.....	54
ELECTRICAL ADJUSTMENT (TUNER).....	55
ELECTRICAL ADJUSTMENT (DECK).....	56
MECHANICAL EXPLODED VIEW.....	57
MECHANICAL PARTS LIST	59
MECHANISM EXPLODED VIEW 1/2 (U)	60
MECHANISM EXPLODED VIEW 2/2 (U)	61
MECHANISM PARTS LIST 1/1 (U).....	62
MECHANISM EXPLODED VIEW 1/1 (LH)	63
MECHANISM PARTS LIST 1/1 (LH).....	65
SPRING APPLICATION POSITION (U)	66
SPRING APPLICATION POSITION (LH)	67
SPEAKER DIS-ASSEMBLY INSTRUCTIONS.....	68
SPEAKER PARTS LIST.....	69
ACCESSORIES / PACKAGE LIST	69
REFERENCE NAME LIST	70

SPECIFICATIONS

Main unit CX-NA555<U> / CX-NS555<LH>

<FM Tuner section>

Tuning range	87.5 MHz to 108 MHz
Usable sensitivity (IHF)	13.2 dBf
Antenna terminal	75 ohms (unbalanced)

<MW Tuner section>

Tuning range	530 kHz to 1710 kHz (10 kHz step) 531 kHz to 1602 kHz (9 kHz step)
Usable sensitivity	350 uV/m
Antenna	Loop Antenna

<Amplifier section>

Mid-high frequency amplifier	<U> 15W + 15W (200Hz - 20kHz T.H.D. less than 1%,8ohms)
Power output	

Total harmonic distortion	0.06%(10W,1kHz,8ohms,DIN AUDIO)
----------------------------------	---------------------------------

Low frequency amplifier	35W + 35W (20Hz - 200Hz T.H.D. less than 1%,4ohms)
Power output	

Total harmonic distortion	0.06%(25W,135Hz,4ohms,DIN AUDIO)
----------------------------------	----------------------------------

<Amplifier section>

Mid-high frequency amplifier	<LH> 10W + 10W (200Hz - 20kHz T.H.D. less than 1%,8ohms)
Power output	

Total harmonic distortion	0.06%(8W,1kHz,8ohms,DIN AUDIO)
----------------------------------	--------------------------------

Low frequency amplifier	40W + 40W (20Hz - 200Hz T.H.D. less than 1%,4ohms)
Power output	

Total harmonic distortion	0.06%(32W,135Hz,4ohms,DIN AUDIO)
----------------------------------	----------------------------------

Inputs	VIDEO / AUX: 300mV (adjustable) Mic : 1.0mV (10k ohms) <LH>
---------------	--

Outputs	SPEAKER HIGH FREQ : 8ohms or more SPEAKER LOW FREQ : 4ohms or more PHONES : 32ohms SURROUND SPEAKERS: <U> 8 ohms to16ohms
----------------	---

<Cassette deck section>

Track format	4 tracks, 2 channels stereo
Frequency response	50 Hz - 15000 Hz
Recording system	AC bias
Heads	Deck 1 : Playback head x 1 Deck 2 : Recording/playback/erase head x 1

<Compact disc player section>

Laser	Semiconductor laser ($\lambda = 780$ nm)
D-A converter	1 bit dual
Signal-to-noise ratio	85 dB (1kHz,0dB)
Harmonic distortion	0.05% (1kHz,0dB)

<General>

Power requirements	<U> 120V AC, 60Hz
Power consumption	120 W
Dimensions of main unit (W x H x D)	260 x 330 x 355 mm
Weight of main unit	7.8 kg

<General>

Power requirements	<LH> 120V/220 - 230V/240V AC switchable,50/60Hz
Power consumption	125 W
Dimensions of main unit (W x H x D)	260 x 330 x 355 mm
Weight of main unit	8.5 kg

Speaker system SX-WNA555 / SX-WNS555

Cabinet type	2 way, subwoofer (magnetic shielded type)
Speakers	Subwoofer : 160 mm cone type Full range : 100 mm cone type
Impedance	4 ohms/8 ohms
Output sound pressure level	87 dB/W/m
Dimensions (W x H x D)	240 x 324 x 275 mm
Weight	4.8 kg

• Design and specifications are subject to change without notice.

PROTECTION OF EYES FROM LASER BEAM DURING SERVICING

This set employs laser. Therefore, be sure to follow carefully the instructions below when servicing.

WARNING!!

WHEN SERVICING, DO NOT APPROACH THE LASER EXIT WITH THE EYE TOO CLOSELY. IN CASE IT IS NECESSARY TO CONFIRM LASER BEAM EMISSION, BE SURE TO OBSERVE FROM A DISTANCE OF MORE THAN 30cm FROM THE SURFACE OF THE OBJECTIVE LENS ON THE OPTICAL PICK-UP BLOCK.



- Caution: Invisible laser radiation when open and interlocks defeated avoid exposure to beam.
- Advarsel: Usynlig laserstråling ved åbning, når sikkerhedsafbrydere er ude af funktion. Undgå udsættelse for stråling.

VAROITUS!

Laiteen Käyttäminen muulla kuin tässä käyttöohjeessa mainitulla tavalla saattaa altistaa käyttäjän turvallisuusluokan 1 ylittävälle näkymättömälle lasersäteilylle.

WARNING!

Om apparaten används på annat sätt än vad som specificeras i denna bruksanvisning, kan användaren utsättas för osynlig laserstrålning, som överskrider gränsen för laserklass 1.

CAUTION

Use of controls or adjustments or performance of procedures other than those specified herein may result in hazardous radiation exposure.

ATTENTION

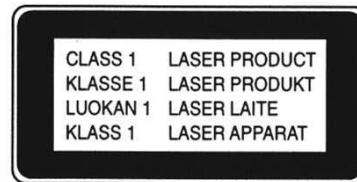
L'utilisation de commandes, réglages ou procédures autres que ceux spécifiés peut entraîner une dangereuse exposition aux radiations.

ADVARSEL!

Usynlig laserstråling ved åbning, når sikkerhedsafbrydere er ude af funktion. Undgå udsættelse for stråling.

This Compact Disc player is classified as a CLASS 1 LASER product.

The CLASS 1 LASER PRODUCT label is located on the rear exterior.

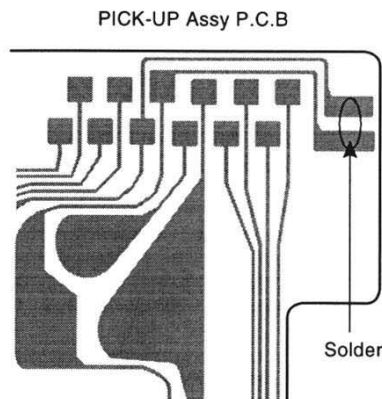


Precaution to replace Optical block

(KSS – 213F)

Body or clothes electrostatic potential could ruin laser diode in the optical block. Be sure ground body and workbench, and use care the clothes do not touch the diode.

- 1) After the connection, remove solder shown in right figure.



NOTE ON BEFORE STARTING REPAIR

1. Forced discharge of electrolytic capacitor of power supply block

When repair is going to be attempted in the set that uses relay circuit in the power supply block, electric potential is kept charged across the electrolytic capacitors (C101, 102) even though AC power cord is removed. If repair is attempted in this condition, the secondary defect can occur.

In order to prevent the secondary trouble, perform the following measures before starting repair work.

Discharge procedure

- ① Remove the AC power cord.
- ② Connect a discharging resistor at an end of lead wire that has clips at both ends. Connect the other end of the lead wire to metal chassis.
- ③ Contact the other end of the discharging resistor to the positive (+) side (+VH) of C101. (For two seconds)
- ④ Contact the same end of the discharging resistor as step ③ to the negative (-) side (-VH) of C102 in the same way. (For two seconds)
- ⑤ Check that voltage across C101 and C102 has decreased 1 V or less using a multimeter or an oscilloscope.

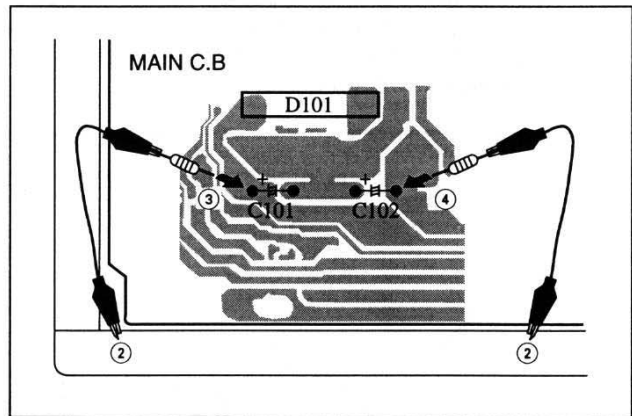


Fig-1

Select a discharging resistor referring to the following table.

Charging voltage (V) (C101, 102)	Discharging resistor (Ω)	Rated power (W)	Parts number
25-48	100	3	87-A00-247-090
49-140	220	5	87-A00-232-090

Note: The reference numbers (C101, C102) of the electrolytic capacitors can change depending on the models. Be sure to check the reference numbers of the charging capacitors on schematic diagram before starting the discharging work.

2. Check items before exchanging the MICROCOMPUTER

Be sure to check the following items before exchanging the MICROCOMPUTER. Exchange the MICROCOMPUTER after confirming that the MICROCOMPUTER is surely defective.

2-1. Regarding the HOLD terminal of the MICROCOMPUTER

When the HOLD terminal (INPUT) of the MICROCOMPUTER is "H", the MICROCOMPUTER is judged to be operating correctly. When this terminal is "L", the main power cannot be turned on. Therefore, be sure to check the terminal voltage of the HOLD terminal before exchange.

When the MICROCOMPUTER is not defective, the HOLD terminal can also go "L" when the POWER AMPLIFIER has any abnormalities that triggers the abnormality detection circuit on the MAIN C. B. that sets the HOLD terminal to "L".

• Good or no good judgement of the MICROCOMPUTER

- ① Turn on the AC main power.
- ② Confirm that the main power is turned on and the HOLD terminal of the MICROCOMPUTER keeps the "H" level or not.
- ③ When the HOLD terminal is "L" level, the abnormality detection circuit is judged to be working correctly and the MICROCOMPUTER is judged to be good.

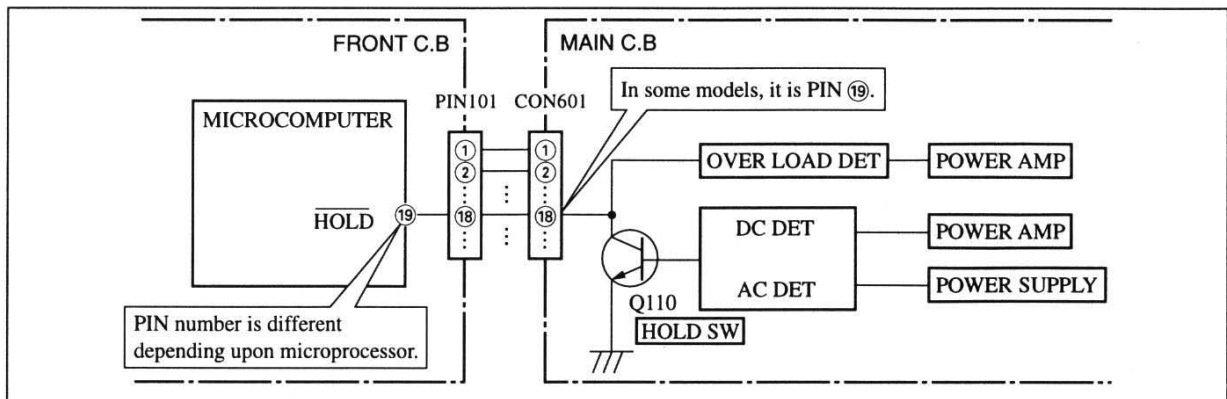


Fig-2-1

In such a case, check also if the POWER AMPLIFIER circuit or power supply circuit has any abnormalities or not.

2-2. Regarding reset

There are cases that the machine does not work correctly because the MICROCOMPUTER is not reset even though the AC power cord is re-inserted, or the software reset (pressing the STOP key + POWER key) is performed.

When the above described phenomenon occurs, it can lead to wrong judgement as if the MICROCOMPUTER is defective and to exchange the MICROCOMPUTER. In such a case, perform the forced-reset by the following procedure and check good or no good of the MICROCOMPUTER.

- ① Remove the AC power cord.

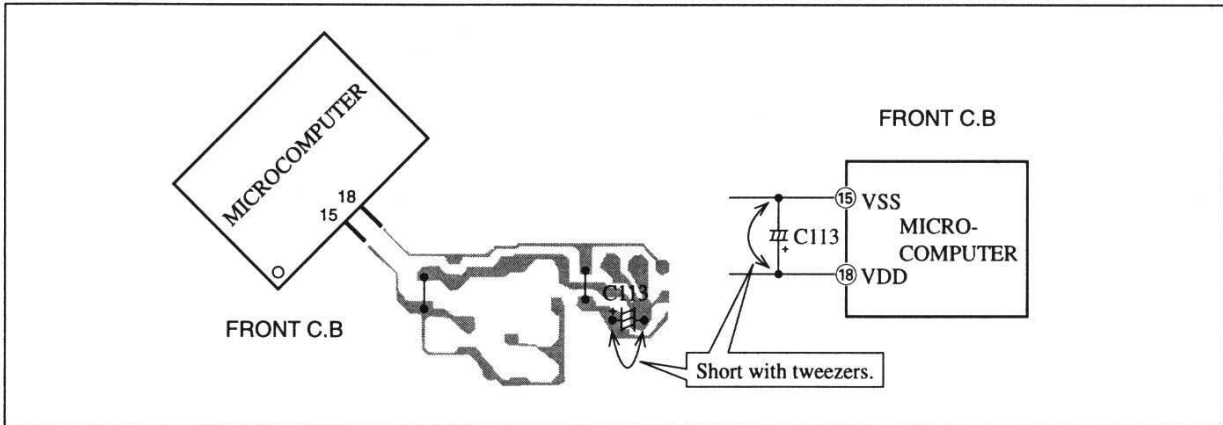


Fig-2-2

- ② Short both ends of the electrolytic capacitor C113 that is connected to VDD of the MICROCOMPUTER with tweezers.
- ③ Connect the AC power cord again. If the MICROCOMPUTER returns to the normal operation, the MICROCOMPUTER is good.

Note: The reference number or MICROCOMPUTER pin number of transistor (Q110) and electrolytic capacitor (C113) can change depending on the models. Be sure to check the reference numbers on schematic diagram before starting the discharging work.

2-3. Confirmation of soldering state of MICROCOMPUTER

Check the soldering state of the MICROCOMPUTER in addition to the above described procedures. Be sure to exchange the MICROCOMPUTER after surely confirming that the trouble is not caused by poor soldering but the MICROCOMPUTER itself.

ELECTRICAL MAIN PARTS LIST

If can't understand for Description please kindly refer to "REFERENCE NAME LIST".

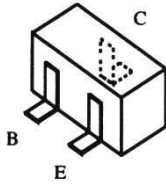
REF. NO.	PART NO.	KANRI NO.	DESCRIPTION	REF. NO.	PART NO.	KANRI NO.	DESCRIPTION
IC							
	8Z-NF8-602-010		C-IC, UPD780228GF-031-3BA	C28	87-010-263-080		CAP, ELECT 100-10V<U>
	87-NF8-614-010		IC, SPS-442-1-W	C29	87-010-247-080		CAP, ELECT 100-50V
	87-A20-783-040		C-IC, BA7762AFS	C30	87-010-112-080		CAP, ELECT 100-16V
	87-A21-023-040		C-IC, BA3835F	C31	87-010-235-080		CAP, E 470-16 SME
	87-A21-031-040		C-IC, BU4551BF	C33	87-010-405-080		CAP, E 10-50<LH>
	87-A21-021-040		C-IC, BU2099FV	C34	87-010-405-080		CAP, E 10-50<LH>
	87-A21-011-040		C-IC, M62445FP-600D	C61	87-010-260-080		CAP, ELECT 47-25V
	87-070-127-110		IC, LC72131D	C62	87-010-403-080		CAP, ELECT 3.3-50V
	87-A20-913-010		IC, LA1837NL	C101	87-010-178-080		CHIP CAP 1000P
	87-020-454-010		IC, DN6851	C102	87-010-178-080		CHIP CAP 1000P
TRANSISTOR							
	87-026-609-080		TR, KTA1266GR	C103	87-010-405-080		CAP, ELECT 10-50V
	89-213-702-010		TR, 2SB1370 (1.8W)	C104	87-010-405-080		CAP, ELECT 10-50V
	87-026-610-080		TR, KTC3198GR	C107	87-010-408-080		CAP, ELECT 47-50V
	87-A30-076-080		C-TR, 2SC3052F	C108	87-010-408-080		CAP, ELECT 47-50V
	87-A30-075-080		C-TR, 2SA1235F	C109	87-010-322-080		C-CAP, S 100P-50 CH
	87-A30-196-080		TR, 2SC4115SRS	C110	87-010-322-080		C-CAP, S 100P-50 CH
	87-A30-074-080		C-TR, RT1P 141C	C111	87-010-260-080		CAP, ELECT 47-25V
	87-A30-107-070		C-TR, CMBT5401	C112	87-010-260-080		CAP, ELECT 47-25V
	87-A30-257-080		C-TR, 2SD1306E	C113	87-A10-812-080		C-CAP, S 220P-200 J CH
	87-A30-190-080		TR, CC5551	C114	87-A10-812-080		C-CAP, S 220P-200 J CH
	87-A30-109-010		TR, 2SD 2495	C117	87-016-247-080		C-CAP, 0.1-50 F
	87-A30-108-010		TR, 2SB1626	C118	87-016-247-080		C-CAP, 0.1-50 F
	87-A30-106-070		C-TR, CMBT5551	C121	87-010-178-080		CHIP CAP 1000P
	87-A30-087-080		C-FET, 2SK2158	C122	87-010-178-080		CHIP CAP 1000P
	87-A30-256-010		TR, 2SD1933	C123	87-010-176-080		C-CAP, S 680P-50 SL
	87-A30-255-010		TR, 2SB1342	C124	87-010-176-080		C-CAP, S 680P-50 SL
	87-A30-119-040		C-TR, 2SC3906K R	C125	87-012-368-080		C-CAP, S 0.1-50 F
	87-A30-159-080		C-TR, KTA1298Y	C126	87-012-368-080		C-CAP, S 0.1-50 F
	87-A30-240-080		TR, CSA1585BC	C127	87-012-368-080		C-CAP, S 0.1-50 F
	87-A30-073-080		C-TR, RT1N 141C	C128	87-012-368-080		C-CAP, S 0.1-50 F
	87-A30-105-080		C-TR, RT1P 441C	C129	87-010-191-080		C-CAP, S 0.015-50 F
DIODE							
	87-020-465-080		DIODE, 1SS133 (110MA)	C130	87-010-191-080		C-CAP, S 0.015-50 F
	87-017-654-060		DIODE, GBU6J	C131	87-010-197-080		CAP, CHIP 0.01 DM
	87-070-274-080		DIODE, 1N4003 SEM	C132	87-010-197-080		CAP, CHIP 0.01 DM
	87-A40-383-080		ZENER, MTZJ30A	C133	87-010-197-080		CAP, CHIP 0.01 DM
	87-A40-345-080		ZENER, MTZJ10C	C203	87-010-177-080		C-CAP, S 820P-50 SL
	87-A40-270-080		C-DIODE, MC2838	C204	87-010-177-080		C-CAP, S 820P-50 SL
	87-A40-269-080		C-DIODE, MC2836	C209	87-010-403-080		CAP, ELECT 3.3-50V
	87-A40-488-080		DIODE, 1SS244	C210	87-010-403-080		CAP, ELECT 3.3-50V
	87-A40-509-080		ZENER, MTZJ6.8C	C211	87-010-181-080		CAP, CHIP S 1800P
	87-017-932-080		ZENER, MTJ6.2B	C212	87-010-181-080		CAP, CHIP S 1800P
	87-A40-002-080		ZENER, MTZJ5.1C	C213	87-010-403-080		CAP, ELECT 3.3-50V
	87-A40-438-080		ZENER, MTZJ4.7A	C214	87-010-403-080		CAP, ELECT 3.3-50V
	87-017-447-010		DIODE, GBU4DL-6419	C215	87-010-322-080		C-CAP, S 100P-50 CH
				C216	87-010-322-080		C-CAP, S 100P-50 CH
				C217	87-010-260-080		CAP, ELECT 47-25V
				C218	87-010-260-080		CAP, ELECT 47-25V
				C219	87-A10-946-080		C-CAP, S 220P-100 J CH
				C220	87-A10-946-080		C-CAP, S 220P-100 J CH
				C223	87-010-190-080		S CHIP F 0.01
				C224	87-010-190-080		S CHIP F 0.01
				C225	87-012-368-080		C-CAP, S 0.1-50 F
				C226	87-012-368-080		C-CAP, S 0.1-50 F
				C227	87-010-186-080		CAP, CHIP 4700P
				C228	87-010-186-080		CAP, CHIP 4700P
MAIN C.B							
C1	87-012-369-080		C-CAP, S 0.047-50F	C229	87-010-993-080		C-CAP, S 0.056-25 B
C2	87-012-369-080		C-CAP, S 0.047-50F	C230	87-010-993-080		C-CAP, S 0.056-25 B
C3	87-012-368-080		C-CAP, S 0.1-50 F	C231	87-010-196-080		CHIP CAPACITOR, 0.1-25
C4	87-012-368-080		C-CAP, S 0.1-50 F	C232	87-010-196-080		CHIP CAPACITOR, 0.1-25
C5	87-012-368-080		C-CAP, S 0.1-50 F	C233	87-010-190-080		S CHIP F 0.01
C6	87-012-368-080		C-CAP, S 0.1-50 F	C234	87-010-190-080		S CHIP F 0.01
C9	87-A10-520-090		CAP, E 3300-35 M SMG	C235	87-016-285-080		CAP, E 47-100SME<U>
C10	87-A10-520-090		CAP, E 3300-35 M SMG	C236	87-016-285-080		CAP, E 47-100SME<U>
C21	87-010-385-080		CAP, ELECT 220-25V<LH>	C237	87-010-322-080		C-CAP, S 100P-50 CH
C22	87-010-385-080		CAP, ELECT 220-25V<LH>	C238	87-010-322-080		C-CAP, S 100P-50 CH
C23	87-010-247-080		CAP, ELECT 100-50V	C239	87-010-196-080		CHIP CAPACITOR, 0.1-25
C24	87-010-247-080		CAP, ELECT 100-50V	C240	87-010-408-080		CAP, ELECT 47-50V
C25	87-010-430-080		CAP, ELECT 100-63	C301	87-010-318-080		C-CAP, S 47P-50 CH
C26	87-010-263-080		CAP, ELECT 100-10V	C302	87-010-318-080		C-CAP, S 47P-50 CH
C27	87-012-140-080		CAP 470P	C303	87-012-157-080		C-CAP, S 330P-50 CH

REF. NO.	PART NO.	KANRI NO.	DESCRIPTION	REF. NO.	PART NO.	KANRI NO.	DESCRIPTION
C304	87-012-157-080		C-CAP,S 330P-50 CH	C620	87-010-185-080		C-CAP,S 3900P-50 B
C305	87-012-145-080		CAP, CHIP S 270P CH	C621	87-010-401-080		CAP, ELECT 1-50V
C306	87-012-145-080		CAP, CHIP S 270P CH	C622	87-010-401-080		CAP, ELECT 1-50V
C307	87-010-196-080		CHIP CAPACITOR,0.1-25	C623	87-A10-773-080		CAP,M 0.10-50 J
C309	87-010-196-080		CHIP CAPACITOR,0.1-25	C624	87-A10-773-080		CAP,M 0.10-50 J
C310	87-010-196-080		CHIP CAPACITOR,0.1-25	C625	87-010-405-080		CAP, ELECT 10-50V
C311	87-010-198-080		CAP, CHIP 0.022	C626	87-010-405-080		CAP, ELECT 10-50V
C312	87-010-198-080		CAP, CHIP 0.022	C627	87-010-196-080		CHIP CAPACITOR,0.1-25
C313	87-010-178-080		C-CAP,S 1000P-50 B<LH>	C629	87-010-405-080		CAP, ELECT 10-50V
C314	87-010-180-080		C-CER 1500P<U>	C630	87-010-213-080		C-CAP,S 0.015-50 B
C314	87-010-178-080		C-CAP,S 1000P-50 B<LH>	C631	87-010-992-080		C-CAP,S 0.047-25 B
C315	87-010-182-080		C-CAP,S 2200P-50 B<U>	C632	87-010-263-080		CAP, ELECT 100-10V
C315	87-010-178-080		C-CAP,S 1000P-50 B<LH>	C633	87-010-263-080		CAP, ELECT 100-10V
C316	87-010-182-080		C-CAP,S 2200P-50 B	C634	87-010-196-080		CHIP CAPACITOR,0.1-25
C316	87-010-178-080		C-CAP,S 1000P-50 B<LH>	C635	87-010-196-080		CHIP CAPACITOR,0.1-25
C321	87-016-492-080		C-CAP,S 0.33-16 FZ	C636	87-010-194-080		C-CAP,S 0.047-25
C322	87-016-492-080		C-CAP,S 0.33-16 FZ	C637	87-010-183-080		C-CAP,S 2700P-50 B
C324	87-010-260-080		CAP, ELECT 47-25V	C638	87-010-314-080		C-CAP,S 22P-50V
C325	87-010-370-080		CAP,E 330-6.3 SME	C639	87-010-314-080		C-CAP,S 22P-50V
C327	87-010-404-080		CAP, ELECT 4.7-50V	C641	87-010-196-080		CHIP CAPACITOR,0.1-25
C328	87-010-404-080		CAP, ELECT 4.7-50V	C731	87-010-560-080		CAP, ELECT 10-50<LH>
C332	87-010-196-080		CHIP CAPACITOR,0.1-25	C732	87-010-196-080		CHIP CAPACITOR,0.1-25<LH>
C335	87-010-401-080		CAP, ELECT 1-50V	C733	87-010-196-080		CHIP CAPACITOR,0.1-25<LH>
C336	87-010-401-080		CAP, ELECT 1-50V	C734	87-012-157-080		C-CAP,S 330P-50<LH>
C337	87-010-196-080		CHIP CAPACITOR,0.1-25	C736	87-010-196-080		CHIP CAPACITOR,0.1-25<LH>
C339	87-010-196-080		CHIP CAPACITOR,0.1-25	CN301	87-099-827-010		CONN,3P S2M-3W
C340	87-010-196-080		CHIP CAPACITOR,0.1-25	CN351	87-099-832-010		CONN,8P S2M-8W
C351	87-012-140-080		CAP 470P	CN601	87-099-719-010		CONN,30P TYK-B(X)
C352	87-012-140-080		CAP 470P	CN602	87-A60-131-010		CONN,6P V FE
C354	87-010-175-080		CAP 560P	CN604	87-099-570-010		CONN,13P TUC-P13P-B1
C355	87-012-349-080		C-CAP,S 1000P-50 CH	J203	87-033-240-010		TERMINAL,SP 4P32SV1-05
C356	87-010-260-080		CAP, ELECT 47-25V	J204	87-A60-750-010		JACK,PIN 4P R/W BLUE<U>
C357	87-010-197-080		CAP, CHIP 0.01 DM	J205	87-A60-751-010		JACK,PIN 2P P/W BLUE<LH>
C358	87-010-183-080		C-CAP,S 2700P-50 B	J601	87-A60-398-010		JACK,PIN 2P R/W HSP-242V24
C359	87-010-183-080		C-CAP,S 2700P-50 B	L101	87-003-383-010		COIL,1UH-S
C360	87-010-183-080		C-CAP,S 2700P-50 B	L102	87-003-383-010		COIL,1UH-S
C363	87-A10-772-080		CAP,M 5600P-50 J	L201	87-003-383-010		COIL,1UH-S
C370	87-010-196-080		CHIP CAPACITOR,0.1-25	L202	87-003-383-010		COIL,1UH-S
C373	87-016-083-080		C-CAP,S 0.15-16 RK	L301	87-A50-049-010		COIL,TRAP 85K(COI)
C374	87-016-083-080		C-CAP,S 0.15-16 RK	L302	87-A50-049-010		COIL,TRAP 85K(COI)
C378	87-010-196-080		CHIP CAPACITOR,0.1-25	L351	87-007-342-010		COIL,OSC 85K BIAS
C379	87-010-406-080		CAP, ELECT 22-50	R20	87-A00-261-080		RES,M/F 0.56-1W J
C380	87-010-406-080		CAP, ELECT 22-50	R129	87-A00-257-080		RES,M/F 0.15-1W J
C382	87-010-312-080		C-CAP,S 15P-50 CH	R130	87-A00-257-080		RES,M/F 0.15-1W J
C386	87-010-196-080		CHIP CAPACITOR,0.1-25	R131	87-A00-257-080		RES,M/F 0.15-1W J
C387	87-012-145-080		CAP, CHIP S 270P CH	R132	87-A00-257-080		RES,M/F 0.15-1W J
C388	87-012-156-080		C-CAP,S 220P-50 CH	R143	87-A00-439-050		RES,180-1/2W J RP
C391	87-010-319-080		C-CAP,S 56P-50 CH	R144	87-A00-439-050		RES,180-1/2W J RP
C392	87-010-319-080		C-CAP,S 56P-50 CH	R145	87-A00-439-050		RES,180-1/2W J RP
C393	87-010-319-080		C-CAP,S 56P-50 CH	R146	87-A00-439-050		RES,180-1/2W J RP
C394	87-010-319-080		C-CAP,S 56P-50 CH	R165	87-A00-257-080		RES,M/F 0.15-1W J
C451	87-010-401-080		CAP, ELECT 1-50V	R166	87-A00-257-080		RES,M/F 0.15-1W J
C452	87-010-401-080		CAP, ELECT 1-50V	R231	87-A00-258-080		RES,M/F 0.22-1W J
C457	87-010-196-080		CHIP CAPACITOR,0.1-25	R232	87-A00-258-080		RES,M/F 0.22-1W J
C458	87-010-196-080		CHIP CAPACITOR,0.1-25	R233	87-A00-258-080		RES,M/F 0.22-1W J
C459	87-A11-004-080		CAP,M 0.022-50 J DE	R234	87-A00-258-080		RES,M/F 0.22-1W J
C460	87-A11-004-080		CAP,M 0.022-50 J DE	R265	87-A00-258-080		RES,M/F 0.22-1W J
C465	87-A11-004-080		CAP,M 0.022-50 J DE	R266	87-A00-258-080		RES,M/F 0.22-1W J
C466	87-A11-004-080		CAP,M 0.022-50 J DE	SFR351	87-A90-433-080		SFR,50K H NVZ6TLTA
C601	87-010-180-080		C-CER 1500P	SFR352	87-A90-433-080		SFR,50K H NVZ6TLTA
C602	87-010-180-080		C-CER 1500P	WH1	87-A90-510-010		HLDR,WIRE 2.5-9P
C605	87-010-318-080		C-CAP,S 47P-50 CH				
C606	87-010-318-080		C-CAP,S 47P-50 CH				
C613	87-016-081-080		C-CAP,S 0.1-16 RK				
C614	87-016-081-080		C-CAP,S 0.1-16 RK				
C615	87-A11-011-080		CAP,M 0.12-50 J DE				
C616	87-A11-011-080		CAP,M 0.12-50 J DE				
C617	87-A11-008-080		CAP,M 0.056-50 J DE				
C618	87-A11-008-080		CAP,M 0.056-50 J DE				
C619	87-010-185-080		C-CAP,S 3900P-50 B				
				FRONT C.B			
				C201	87-012-156-080		C-CAP,S 220P-50 CH
				C202	87-010-322-080		C-CAP,S 100P-50 CH
				C203	87-010-322-080		C-CAP,S 100P-50 CH
				C204	87-010-322-080		C-CAP,S 100P-50 CH
				C205	87-010-322-080		C-CAP,S 100P-50 CH

REF. NO.	PART NO.	KANRI NO.	DESCRIPTION	REF. NO.	PART NO.	KANRI NO.	DESCRIPTION
C206	87-010-322-080		C-CAP,S 100P-50 CH	LED607	87-A40-619-040		LED,SLR-56PT-T31-W GRN
C207	87-010-322-080		C-CAP,S 100P-50 CH	LED608	87-A40-619-040		LED,SLR-56PT-T31-W GRN
C208	87-010-322-080		C-CAP,S 100P-50 CH	LED609	87-A40-619-080		LED,SLR-56PT-TE7-W GRN
C209	87-010-322-080		C-CAP,S 100P-50 CH	LED610	87-A40-619-080		LED,SLR-56PT-TE7-W GRN
C210	87-010-322-080		C-CAP,S 100P-50 CH	LED611	87-A40-619-080		LED,SLR-56PT-TE7-W GRN<LH>
C211	87-010-322-080		C-CAP,S 100P-50 CH	LED612	87-A40-619-080		LED,SLR-56PT-TE7-W GRN
C251	87-015-699-040		CAP,E 10-50 7L	LED613	87-A40-619-080		LED,SLR-56PT-TE7-W GRN
C252	87-010-198-080		CAP,CHIP 0.022	LED614	87-A40-619-080		LED,SLR-56PT-TE7-W GRN
C254	87-010-194-080		CAP,CHIP 0.047	LED631	87-A40-619-040		LED,SLR-56PT-T31-W GRN
C255	87-A10-586-040		CAP,E 47-35 7L SR	LED632	87-A40-619-040		LED,SLR-56PT-T31-W GRN
C256	87-015-699-040		CAP,E 10-50 7L	LED633	87-A40-619-040		LED,SLR-56PT-T31-W GRN
C259	87-015-699-040		CAP,E 10-50 7L	LED634	87-A40-619-040		LED,SLR-56PT-T31-W GRN
C260	87-010-198-080		CAP,CHIP 0.022	SW401	87-A91-024-080		SW,TACT KSH0611BT
C262	87-010-196-080		CHIP CAPACITOR,0.1-25	SW402	87-A91-024-080		SW,TACT KSH0611BT
C301	87-010-182-080		C-CAP,S 2200P-50 B	SW403	87-A91-024-080		SW,TACT KSH0611BT
C302	87-010-182-080		C-CAP,S 2200P-50 B	SW404	87-A91-024-080		SW,TACT KSH0611BT
C311	87-010-194-080		CAP,CHIP 0.047	SW405	87-A91-024-080		SW,TACT KSH0611BT
C313	87-010-196-080		CHIP CAPACITOR,0.1-25	SW406	87-A91-024-080		SW,TACT KSH0611BT
C314	87-010-194-080		CAP,CHIP 0.047	SW407	87-A91-024-080		SW,TACT KSH0611BT
C321	87-010-196-080		CHIP CAPACITOR,0.1-25	SW408	87-A91-024-080		SW,TACT KSH0611BT
C323	87-010-248-040		CAP,E 220-10 SME	SW409	87-A91-024-080		SW,TACT KSH0611BT
C324	87-010-194-080		CAP,CHIP 0.047	SW410	87-A91-024-080		SW,TACT KSH0611BT
C331	87-010-196-080		CHIP CAPACITOR,0.1-25	SW411	87-A91-024-080		SW,TACT KSH0611BT
C332	87-010-178-080		CHIP CAP 1000P	SW412	87-A91-024-080		SW,TACT KSH0611BT
C333	87-012-140-080		CAP 470P	SW413	87-A91-024-080		SW,TACT KSH0611BT
C334	87-010-312-080		C-CAP,S 15P-50 CH	SW414	87-A91-024-080		SW,TACT KSH0611BT
C335	87-012-140-080		CAP 470P	SW415	87-A91-024-080		SW,TACT KSH0611BT
C336	87-010-196-080		CHIP CAPACITOR,0.1-25	SW416	87-A91-024-080		SW,TACT KSH0611BT
C337	87-010-196-080		CHIP CAPACITOR,0.1-25	SW417	87-A91-024-080		SW,TACT KSH0611BT
C338	87-012-155-080		C-CAP 180P-50CH	SW418	87-A91-024-080		SW,TACT KSH0611BT
C339	87-012-156-080		C-CAP,S 220P-50 CH	SW419	87-A91-024-080		SW,TACT KSH0611BT
C340	87-010-197-080		CAP,CHIP 0.01 DM	SW420	87-A91-024-080		SW,TACT KSH0611BT
C401	87-010-197-080		CAP,CHIP 0.01 DM	SW421	87-A91-024-080		SW,TACT KSH0611BT
C451	87-010-196-080		CHIP CAPACITOR,0.1-25	SW422	87-A91-024-080		SW,TACT KSH0611BT
C452	87-010-196-080		CHIP CAPACITOR,0.1-25	SW423	87-A91-024-080		SW,TACT KSH0611BT
C453	87-010-196-080		CHIP CAPACITOR,0.1-25	SW424	87-A91-024-080		SW,TACT KSH0611BT
C454	87-010-196-080		CHIP CAPACITOR,0.1-25	SW425	87-A91-024-080		SW,TACT KSH0611BT
C455	87-010-196-080		CHIP CAPACITOR,0.1-25	SW426	87-A91-024-080		SW,TACT KSH0611BT
C456	87-012-158-080		C-CAP,S 390P-50 CH	SW427	87-A91-024-080		SW,TACT KSH0611BT
C457	87-010-196-080		CHIP CAPACITOR,0.1-25	SW428	87-A91-024-080		SW,TACT KSH0611BT<LH>
C502	87-010-186-080		CAP,CHIP 4700P<LH>	SW434	87-A91-024-080		SW,TACT KSH0611BT<LH>
C503	87-010-112-040		CAP,E 100-16<LH>	SW252	87-A90-535-010		SW,RTRY EC16B24304
C504	87-010-405-040		CAP,E 10-50<LH>	SW253	87-A90-950-010		SW,RTRY EC12E12504 ENCORDER
C505	87-010-546-040		CAP,E 0.33-50<LH>	VR501	87-NB7-602-010		VR,RTRY 10KAX1
C506	87-010-320-080		C-CAP,S 68P-50 CH<LH>				
C507	87-010-544-040		CAP,E 0.1-50<LH>	PS C.B			
C508	87-010-178-080		C-CAP,S 1000P-50 K				
C509	87-010-544-040		CAP,E 0.1-50<LH>	C1	87-010-387-080		CAP,E 470-25 SME
C601	87-010-196-080		CHIP CAPACITOR,0.1-25	C8	87-A10-520-090		CAP,E 3300-35<LH>
C602	87-010-322-080		C-CAP,S 100P-50 CH	C9	87-A10-520-090		CAP,E 3300-35<LH>
C603	87-010-322-080		C-CAP,S 100P-50 CH	CN1	87-A60-850-010		CONN,7P V VH<U>
C604	87-010-322-080		C-CAP,S 100P-50 CH	CN1	87-A60-851-010		CONN,9P V VH<LH>
C701	87-010-196-080		CHIP CAPACITOR,0.1-25				
CON101	87-099-720-010		CONN,30P TYK-B(P)	PR1	87-026-682-080		PROTECTOR,10A 491S 60V<LH>
CON102	87-099-015-010		CONN,13P 6216V	PR2	87-026-682-080		PROTECTOR,10A 491S 60V<LH>
CON301	87-099-013-010		CONN,11P 6216 V<U>	PT1	8Z-NF8-604-010		PT,ZNF-8<U>
CON301	87-099-017-010		CONN,15P 6216 V<LH>	PT1	8Z-NF8-609-010		PT,ZNF-8<LH>
EMI201	87-008-372-080		FILTER,EMI BL OIRNI	PT2	8Z-NF8-661-010		PT,SUB ZNF-8<U>
EMI202	87-008-372-080		FILTER,EMI BL OIRNI				
EMI701	87-A50-322-080		C-COIL,S BK2125 LM252	PT2	8Z-NF8-663-010		PT,SUB ZNF-8<LH>
FL401	8Z-NF8-616-010		FL,SVA-11MM22	RY1	87-A90-976-010		RELAY,AC12V SDT-S-112LMR
J501	87-A60-651-010		JACK,3.5 MONO<LH>	RY1	87-A91-281-010		RELAY,AC DC12V OSA-SS-212 DMS
L331	87-A50-434-010		COIL,CLK 4.19M(TOKO)	S1	87-A90-165-010		SW,SL 1-2-3 SWS2301<LH>
LED311	87-A40-317-080		LED,SLR-342VCT31 RED	T1	87-A60-317-010		TERMINAL, 1P MSC
LED601	87-A40-619-040		LED,SLR-56PT-T31-W GRN	T2	87-A60-317-010		TERMINAL, 1P MSC
LED602	87-A40-619-040		LED,SLR-56PT-T31-W GRN	TUNER C.B			
LED603	87-A40-619-040		LED,SLR-56PT-T31-W GRN	C701	87-010-381-080		CAP, ELECT 330-16V
LED604	87-A40-619-040		LED,SLR-56PT-T31-W GRN	C702	87-010-404-080		CAP, ELECT 4.7-50V
LED605	87-A40-619-040		LED,SLR-56PT-T31-W GRN	C703	87-012-286-080		CAP, U 0.01-25
LED606	87-A40-619-040		LED,SLR-56PT-T31-W GRN	C704	87-012-286-080		CAP, U 0.01-25

REF. NO.	PART NO.	KANRI NO.	DESCRIPTION	REF. NO.	PART NO.	KANRI NO.	DESCRIPTION
C705	87-A10-592-080		C-CAP, S 0.015-50 J B	CF801	87-008-261-010		FILTER, SFE10.7MA5-A
C706	87-A10-592-080		C-CAP, S 0.015-50 J B	CF802	87-008-261-010		FILTER, SFE10.7MA5-A
C709	87-012-195-080		C-CAP, U 100P-50CH	CN701	87-A60-700-010		CONN, 13P H GRY TUC-P13X-C1
C711	87-010-260-080		CAP, ELECT 47-25V	FFE801	A8-8ZA-190-030		8ZA-1 FEUNM
C712	87-010-831-080		C-CAP, U, 0.1-16F	J801	87-A60-702-010		TERMINAL, ANT 4P CJ-9036
C714	87-012-286-080		CAP, U 0.01-25	L771	87-A50-266-010		COIL, FM DET-2N(TOK)
C717	87-012-286-080		CAP, U 0.01-25	L772	87-A90-733-010		FLTR, PCFAZH-450 (TOK)
C718	87-012-179-080		C-CAP, U 20P-50 CH	L981	87-NF4-650-010		COIL, AM PACK 4N(TOK)
C719	87-012-286-080		CAP, U 0.01-25	X721	87-A70-061-010		VIB, XTAL 4.500MHZ CSA-309
C720	87-012-195-080		C-CAP, U 100P-50CH				
C721	87-012-176-080		CAP 15P	DECK C.B			
C722	87-012-176-080		CAP 15P				
C723	87-012-274-080		CHIP CAP, U 1000P-50B	CON105	87-099-753-080		CONN, 11P H 9604<U>
C725	87-012-274-080		CHIP CAP, U 1000P-50B	CON105	87-099-756-019		CONN, 15P 9604 S F<LH>
C727	87-010-196-080		CHIP CAPACITOR, 0.1-25	CON301	86-ZM3-604-219		CON ASSY, 3P-PB<U>
C728	87-010-248-080		CAP, ELECT 220-10V	CON351	86-ZM3-605-119		CON ASSY, 8P-RPB<U>
C729	87-012-274-080		CHIP CAP, U 1000P-50B	SFR1	87-024-581-019		SFR, 3.3K DIA 6H
C731	87-012-286-080		CAP, U 0.01-25	SOL1	82-ZM1-618-410		SOL ASSY, 27
C733	87-010-987-080		C-CAP, S 1500P-50 CH	SOL2	82-ZM1-618-410		SOL ASSY, 27
C734	87-010-987-080		C-CAP, S 1500P-50 CH	SW1	87-A90-248-019		SW, MICRO ESE11SH2CXQ
C735	87-010-987-080		C-CAP, S 1500P-50 CH	SW2	87-A90-248-019		SW, MICRO ESE11SH2CXQ
C736	87-010-987-080		C-CAP, S 1500P-50 CH	SW3	87-A90-248-019		SW, MICRO ESE11SH2CXQ
C737	87-A10-592-080		C-CAP, S 0.015-50 J B	SW4	87-A90-248-019		SW, MICRO ESE11SH2CXQ
C738	87-A10-592-080		C-CAP, S 0.015-50 J B	SW4	87-036-110-019		SW, MICRO SPPB62<LH>
C751	87-012-365-080		C-CAP, S 0.027-25VBK	SW5	87-A90-248-019		SW, MICRO ESE11SH2CXQ<U>
C752	87-012-365-080		C-CAP, S 0.027-25VBK	SW5	87-036-110-019		SW, MICRO SPPB62<LH>
C756	87-012-286-080		CAP, U 0.01-25	SW6	87-036-110-019		SW, MICRO SPPB62<LH>
C757	87-012-188-080		C-CAP, U 47P-50 CH	SW8	87-A90-248-019		SW, MICRO ESE11SH2CXQ<LH>
C758	87-012-167-080		C-CAP, U 5P-50 CH	SW9	87-A90-248-019		SW, MICRO ESE11SH2CXQ<LH>
C763	87-010-829-080		CAP, U 0.047-16	W1	82-ZM3-601-019		RBN, CORD, 4P-75
C764	87-012-337-080		C-CAP, U 56P-50 CH				
C765	87-012-286-080		CAP, U 0.01-25	HEAD-1 C.B			
C768	87-012-286-080		CAP, U 0.01-25				
C769	87-010-260-080		CAP, ELECT 47-25V		85-ZM3-602-010		PWB, FLEX A<LH>
C770	87-010-829-080		CAP, U 0.047-16				
C771	87-010-383-080		CAP, ELECT 33-25V	HEAD-2 C.B			
C772	87-010-829-080		CAP, U 0.047-16				
C773	87-010-196-080		CHIP CAPACITOR, 0.1-25		85-ZM3-602-010		PWB, FLEX A<LH>
C774	87-010-263-080		CAP, ELECT 100-10V	CON351	87-NF6-616-010		CONN ASSY, 8P-RPB<LH>
C775	87-010-404-080		CAP, ELECT 4.7-50V				
C776	87-012-286-080		CAP, U 0.01-25				
C777	87-010-400-080		CAP, ELECT 0.47-50V				
C778	87-010-401-080		CAP, ELECT 1-50V				
C779	87-010-401-080		CAP, ELECT 1-50V				
C780	87-010-196-080		CHIP CAPACITOR, 0.1-25				
C781	87-010-405-080		CAP, ELECT 10-50V				
C782	87-010-405-080		CAP, ELECT 10-50V				
C783	87-012-286-080		CAP, U 0.01-25				
C784	87-012-286-080		CAP, U 0.01-25				
C785	87-010-401-080		CAP, ELECT 1-50V				
C786	87-010-401-080		CAP, ELECT 1-50V				
C789	87-012-275-080		C-CAP, U 1200P-50 B				
C790	87-012-275-080		C-CAP, U 1200P-50 B				
C791	87-010-405-080		CAP, ELECT 10-50V				
C793	87-012-273-080		C-CAP, U 820P-50 B				
C794	87-010-406-080		CAP, ELECT 22-50				
C795	87-010-596-080		CAP, S 0.047-16				
C796	87-010-403-080		CAP, ELECT 3.3-50V				
C799	87-010-829-080		CAP, U 0.047-16				
C812	87-012-286-080		CAP, U 0.01-25				
C820	87-010-260-080		CAP, ELECT 47-25V				
C821	87-012-286-080		CAP, U 0.01-25				
C822	87-012-286-080		CAP, U 0.01-25				
C823	87-012-286-080		CAP, U 0.01-25				
C828	87-010-196-080		CHIP CAPACITOR, 0.1-25				
C829	87-010-196-080		CHIP CAPACITOR, 0.1-25				
C959	87-010-196-080		CHIP CAPACITOR, 0.1-25				
C960	87-010-196-080		CHIP CAPACITOR, 0.1-25				
C961	87-012-170-080		C-CAP, U 8P-50 CH				
C963	87-010-196-080		CHIP CAPACITOR, 0.1-25				

TRANSISTOR ILLUSTRATION



2SA1235 CMBT5551
 2SC3052 CMBT5401
 2SD1306 RT1N141C
 2SC3906 RT1P141C
 KTA1298 RT1P441C



E C B
 CC5551
 CSA1585



B C E
 2SD2495
 2SB1626



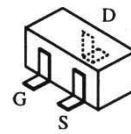
E C B
 2SC4115



B C E
 2SB1370
 2SD1933
 2SB1342



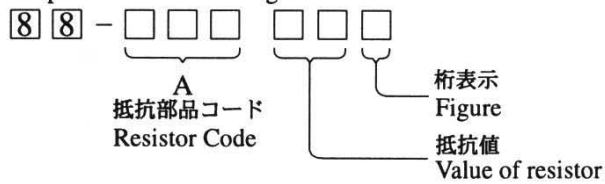
E C B
 KTA1266
 KTC3198



2SK2158

チップ抵抗部品コード/CHIP RESISTOR PART CODE

チップ抵抗部品コードの成り立ち
 Chip Resistor Part Coding

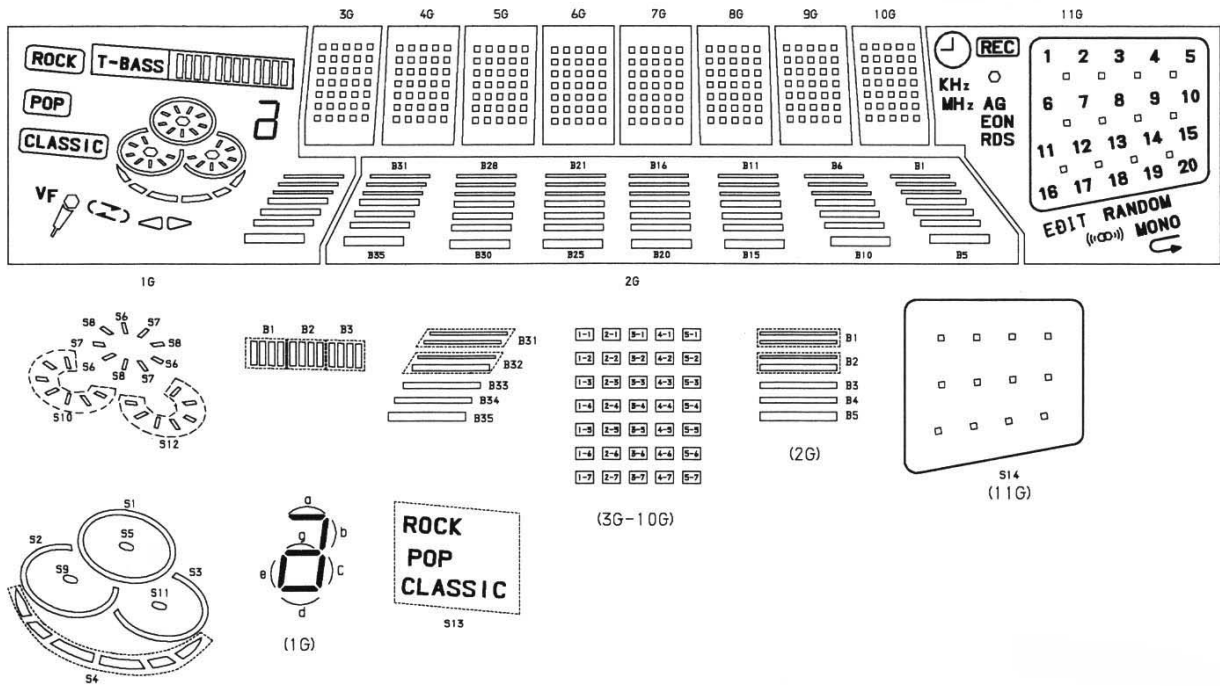


チップ抵抗 Chip resistor


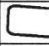

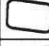
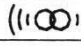
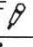




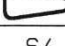
容量 Wattage	種類 Type	許容誤差 Tolerance	記号 Symbol	寸法/Dimensions (mm)			抵抗コード : A Resistor Code : A	
				外形/Form	L	W		t
1/16W	1005	± 5%	CJ		1.0	0.5	0.35	104
1/16W	1608	± 5%	CJ		1.6	0.8	0.45	108
1/10W	2125	± 5%	CJ		2	1.25	0.45	118
1/8W	3216	± 5%	CJ		3.2	1.6	0.55	128

FL GRID ASSIGNMENT / ANODE CONNECTION

GRID ASSIGNMENT

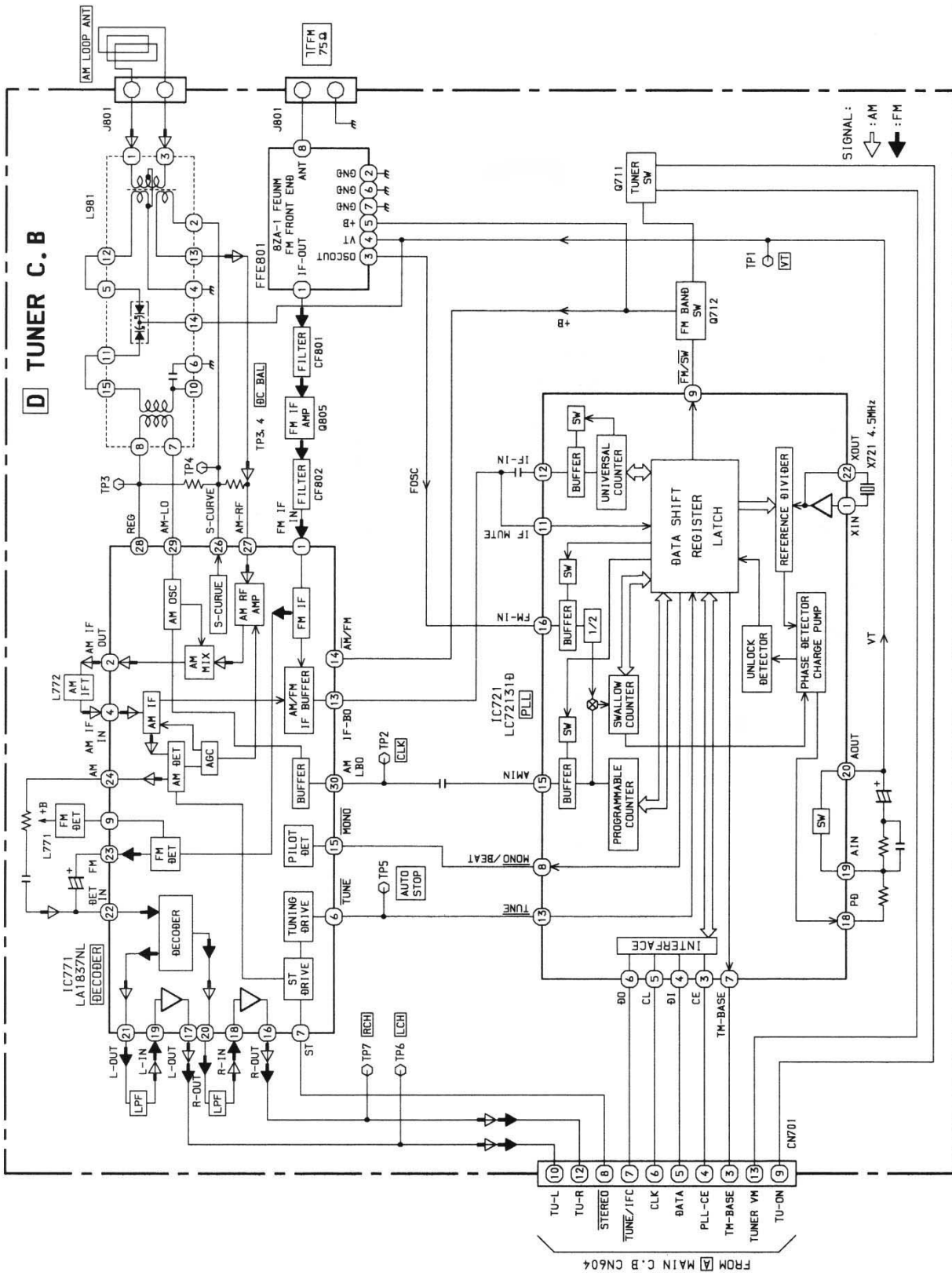


ANODE CONNECTION

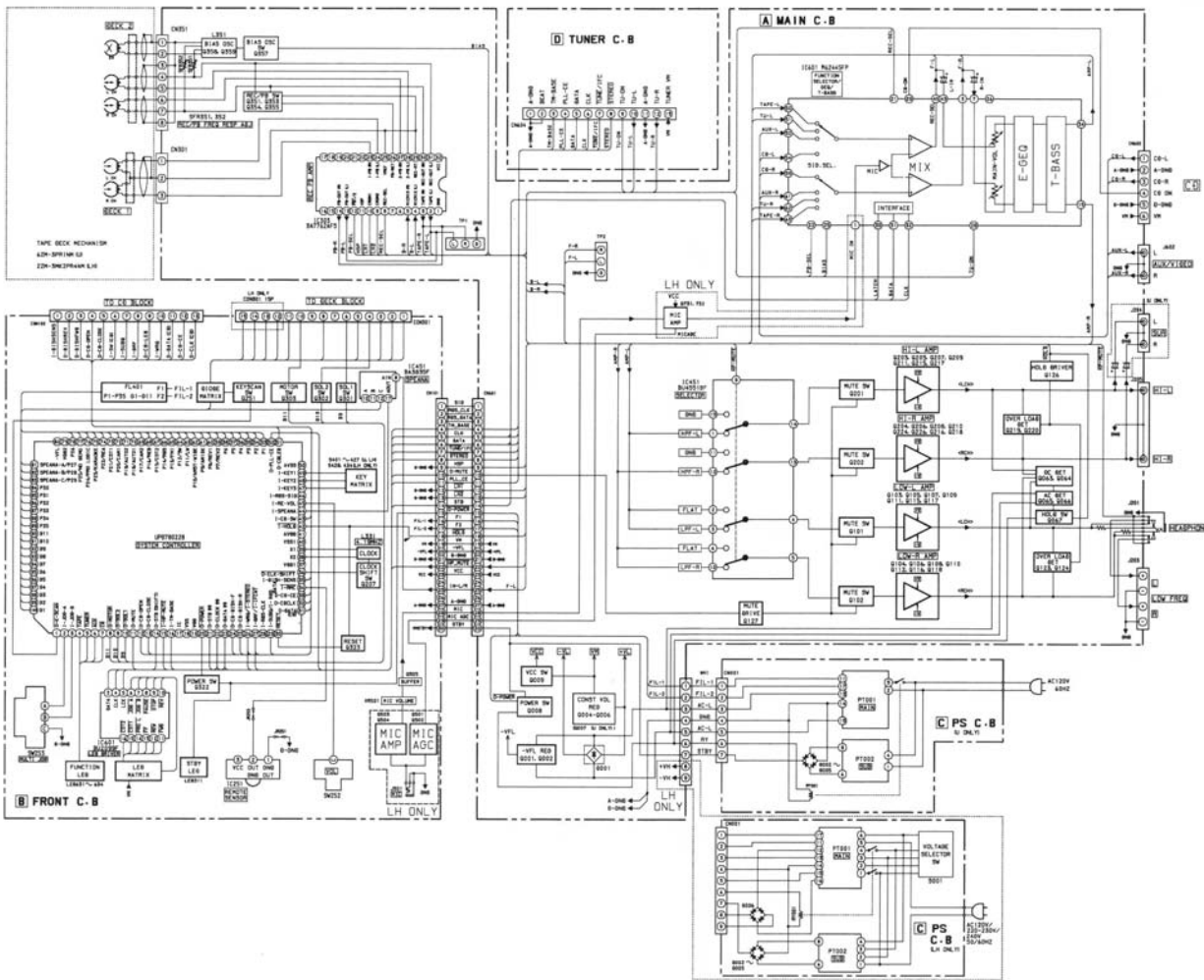
	1G	2G	3G-10G	11G
P1	S13	B35	1-1	
P2	 ROCK	B30	2-1	MONO
P3	 POP	B25	3-1	RANDOM
P4	 CLASSIC	B20	4-1	
P5	VF 	B15	5-1	EDIT
P6		B10	1-2	
P7		B5	2-2	REC
P8)	B34	3-2	KHz
P9		B29	4-2	MHz
P10		B24	5-2	○
P11	S4	B19	1-3	AG
P12	S2	B14	2-3	EON
P13	S10	B9	3-3	RDS
P14	S9	B4	4-3	S14
P15	S3	B33	5-3	20
P16	S12	B28	1-4	19
P17	S11	B23	2-4	18
P18	S1	B18	3-4	17

	1G	2G	3G-10G	11G
P19	S6	B13	4-4	16
P20	S7	B8	5-4	15
P21	S8	B3	1-5	14
P22	S5	B32	2-5	13
P23	T-BASS	B27	3-5	12
P24	B1	B22	4-5	11
P25	B2	B17	5-5	10
P26	B3	B12	1-6	9
P27	e	B7	2-6	8
P28	a, g, d	B2	3-6	7
P29	b	B31	4-6	6
P30	c	B26	5-6	5
P31	B35	B21	1-7	4
P32	B34	B16	2-7	3
P33	B33	B11	3-7	2
P34	B32	B6	4-7	1
P35	B31	B1	5-7	-

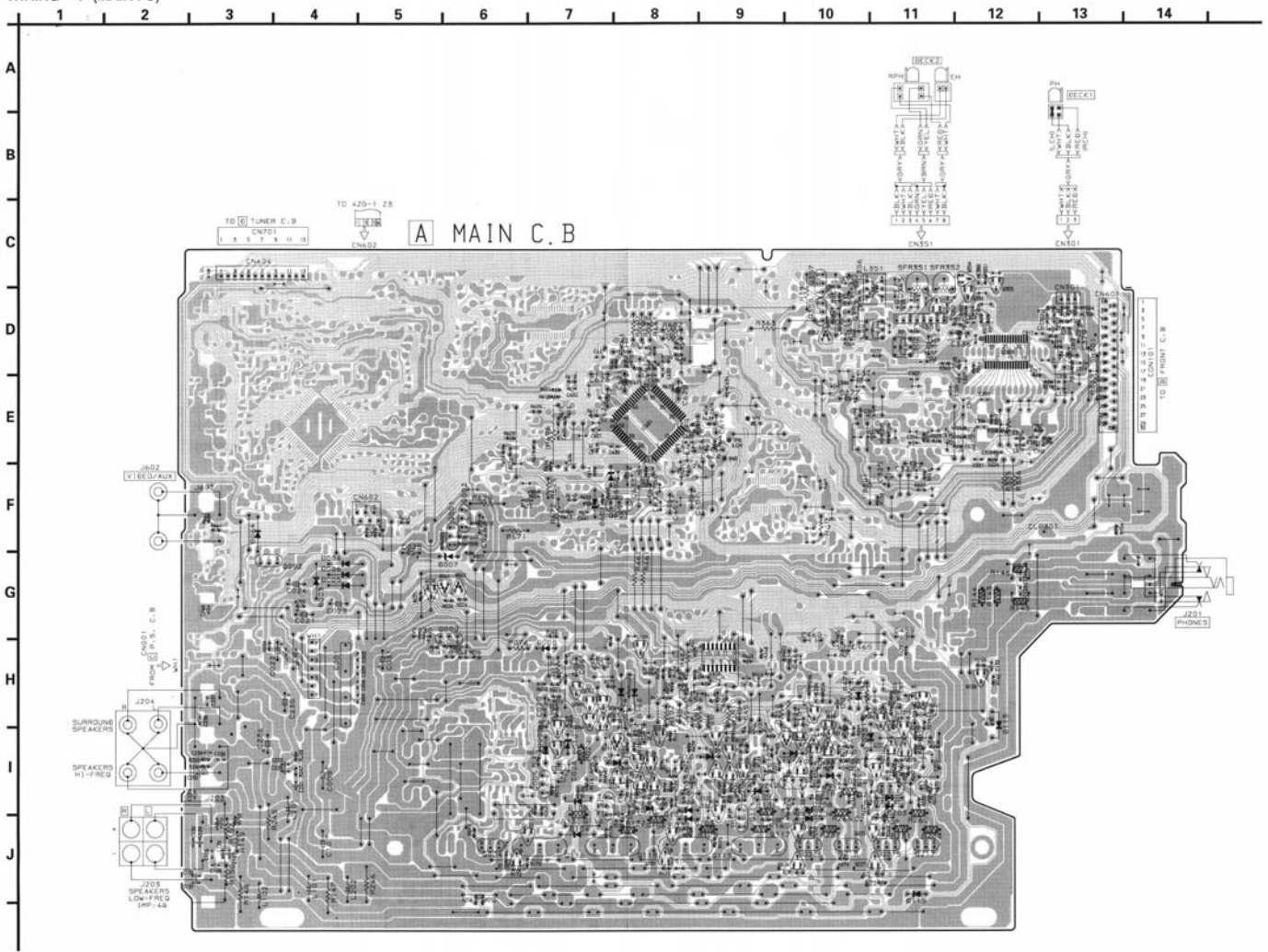
BLOCK DIAGRAM - 1 (TUNER)



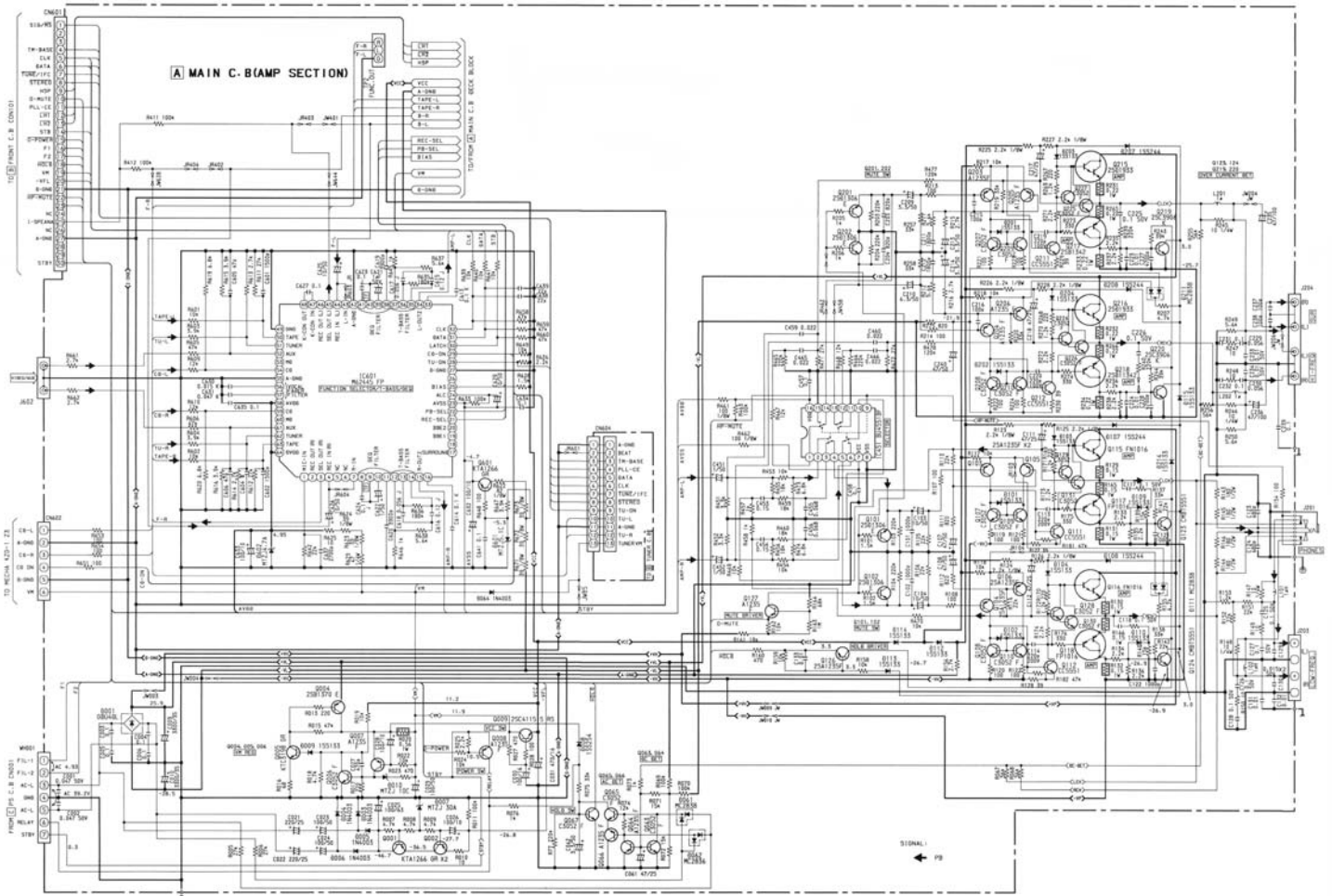
BLOCK DIAGRAM - 2 (MAIN / FRONT / PS)



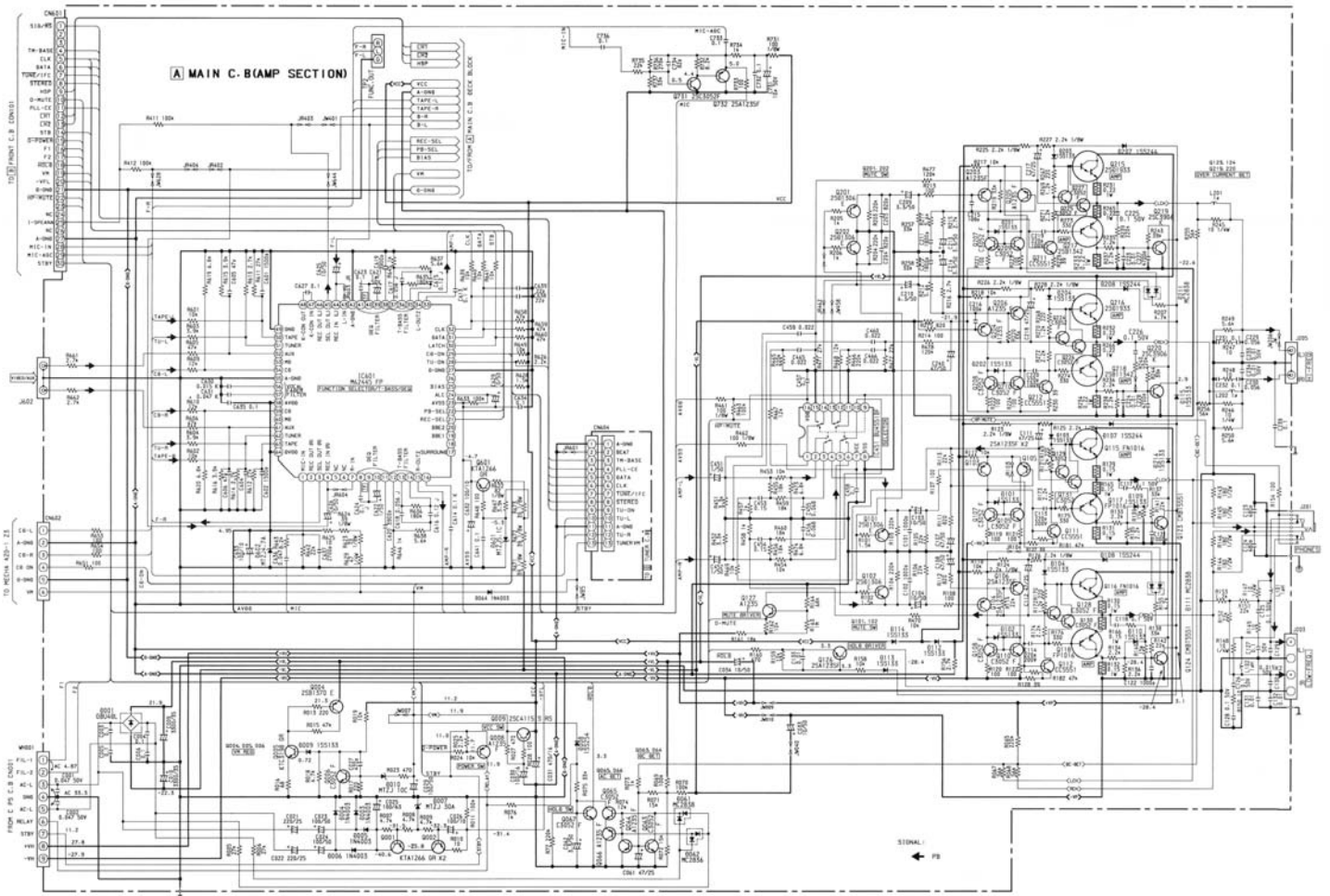
WIRING - 1 (MAIN : U)



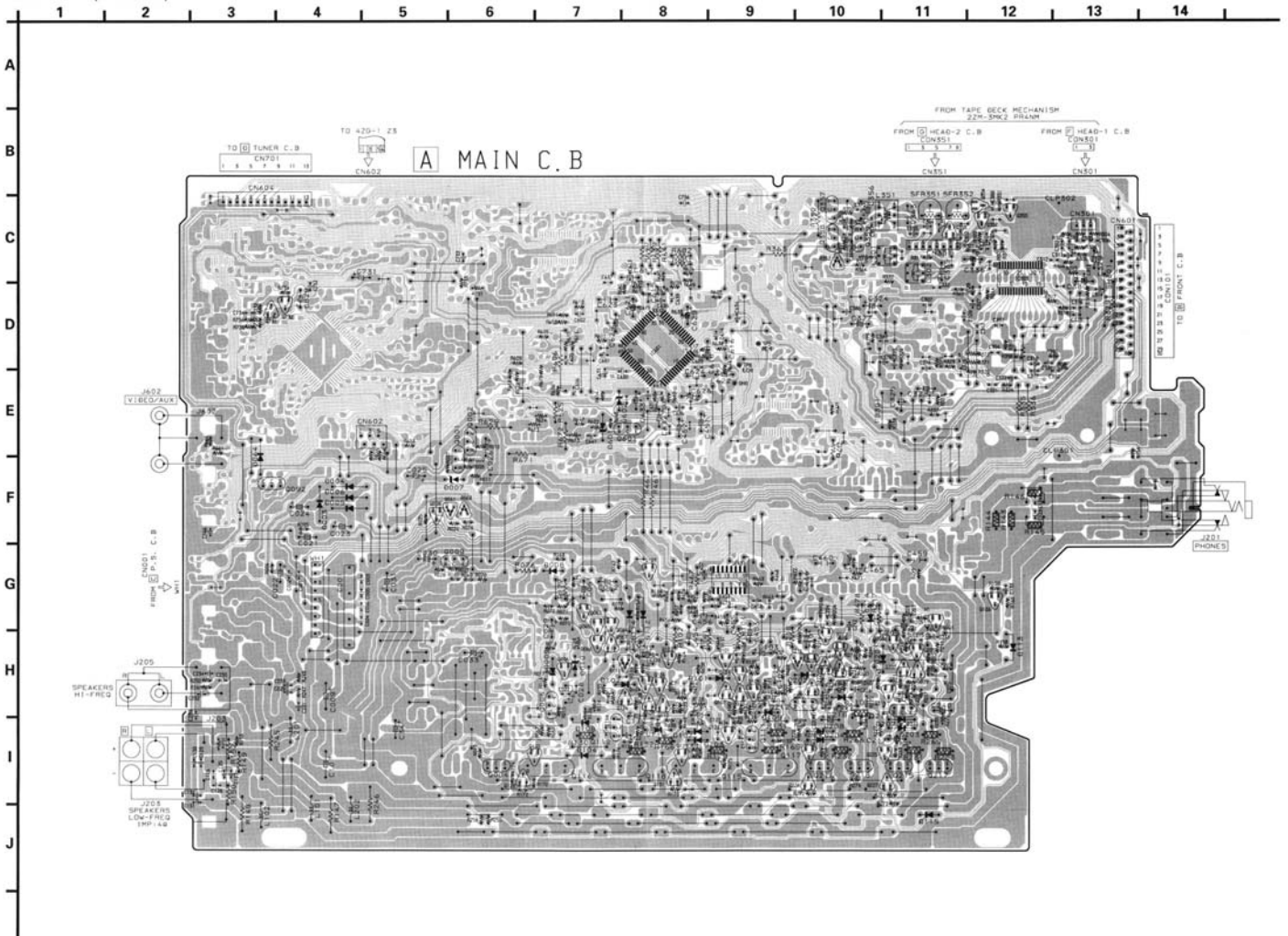
SCHEMATIC DIAGRAM - 1 (MAIN : U)



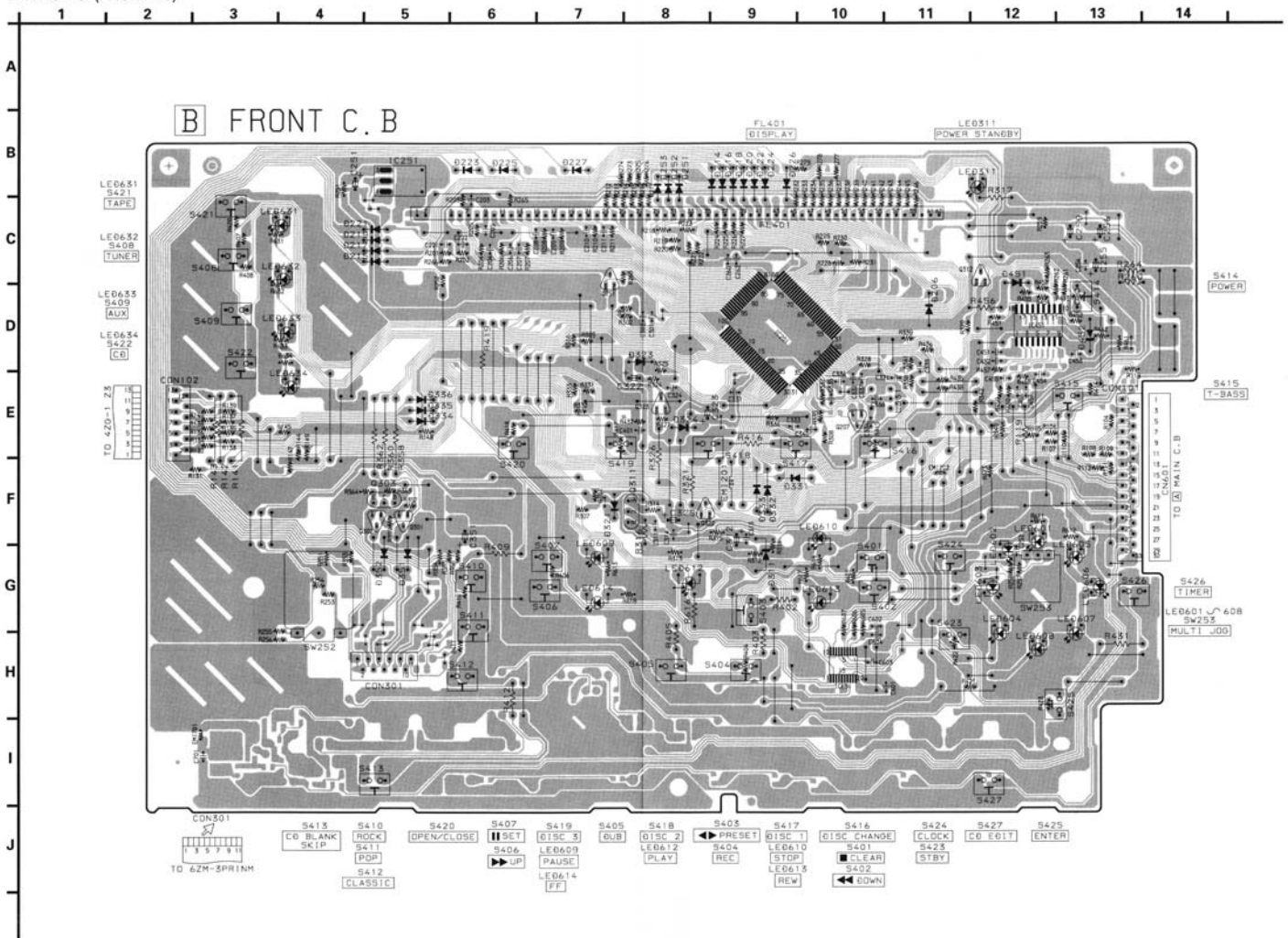
SCHEMATIC DIAGRAM - 2 (MAIN : LH)



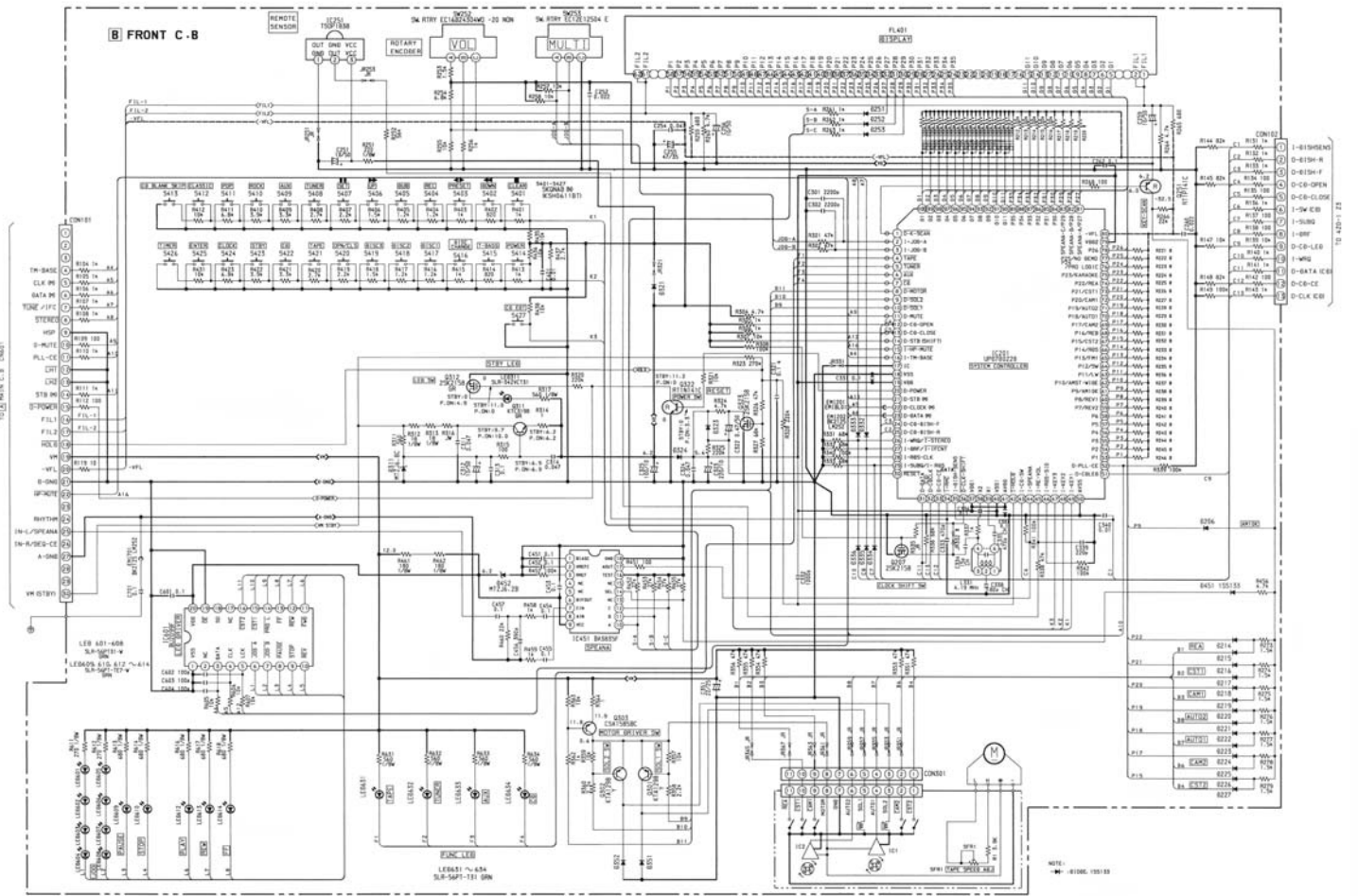
WIRING - 2 (MAIN : LH)



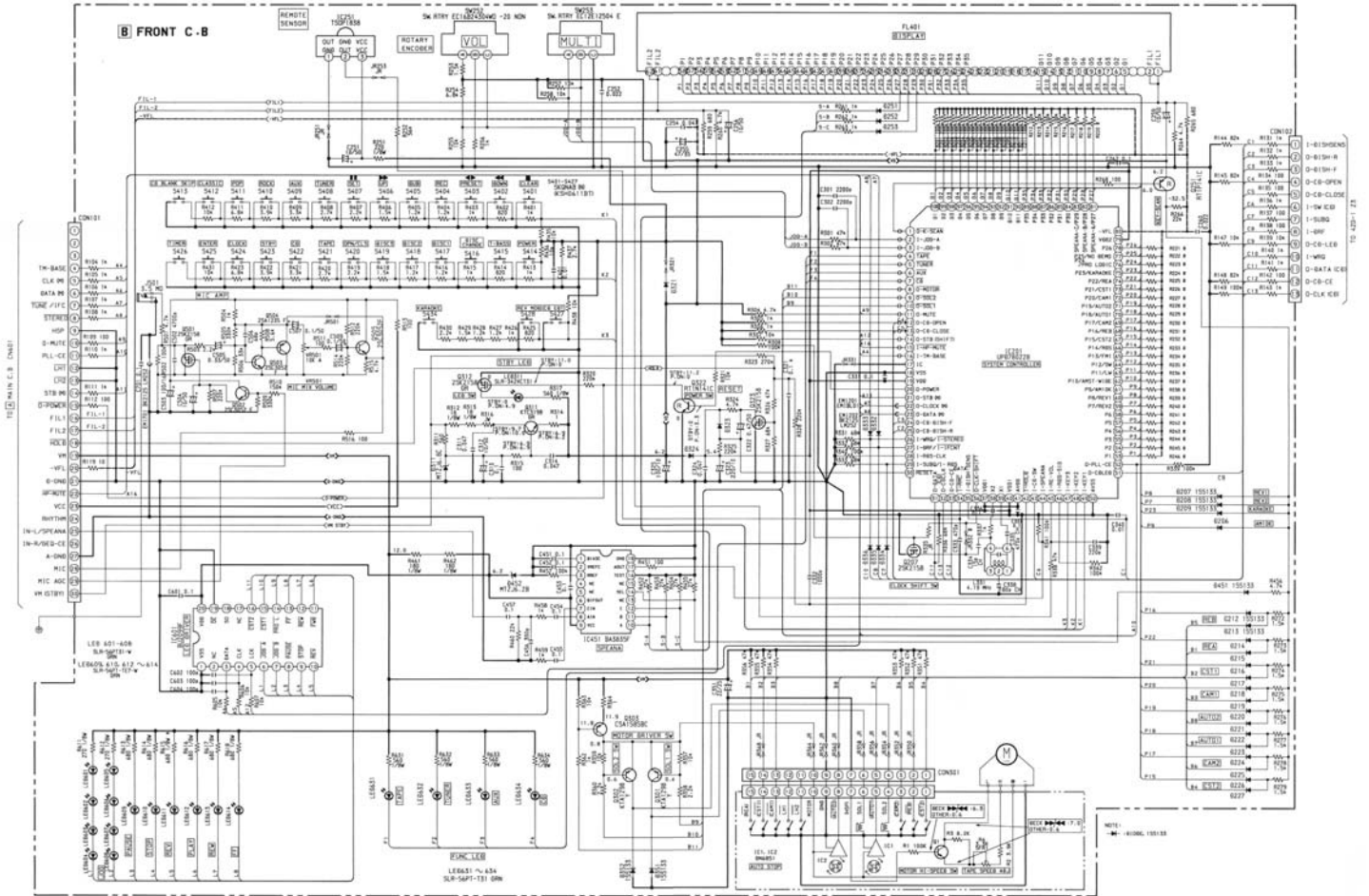
WIRING - 3 (FRONT : U)



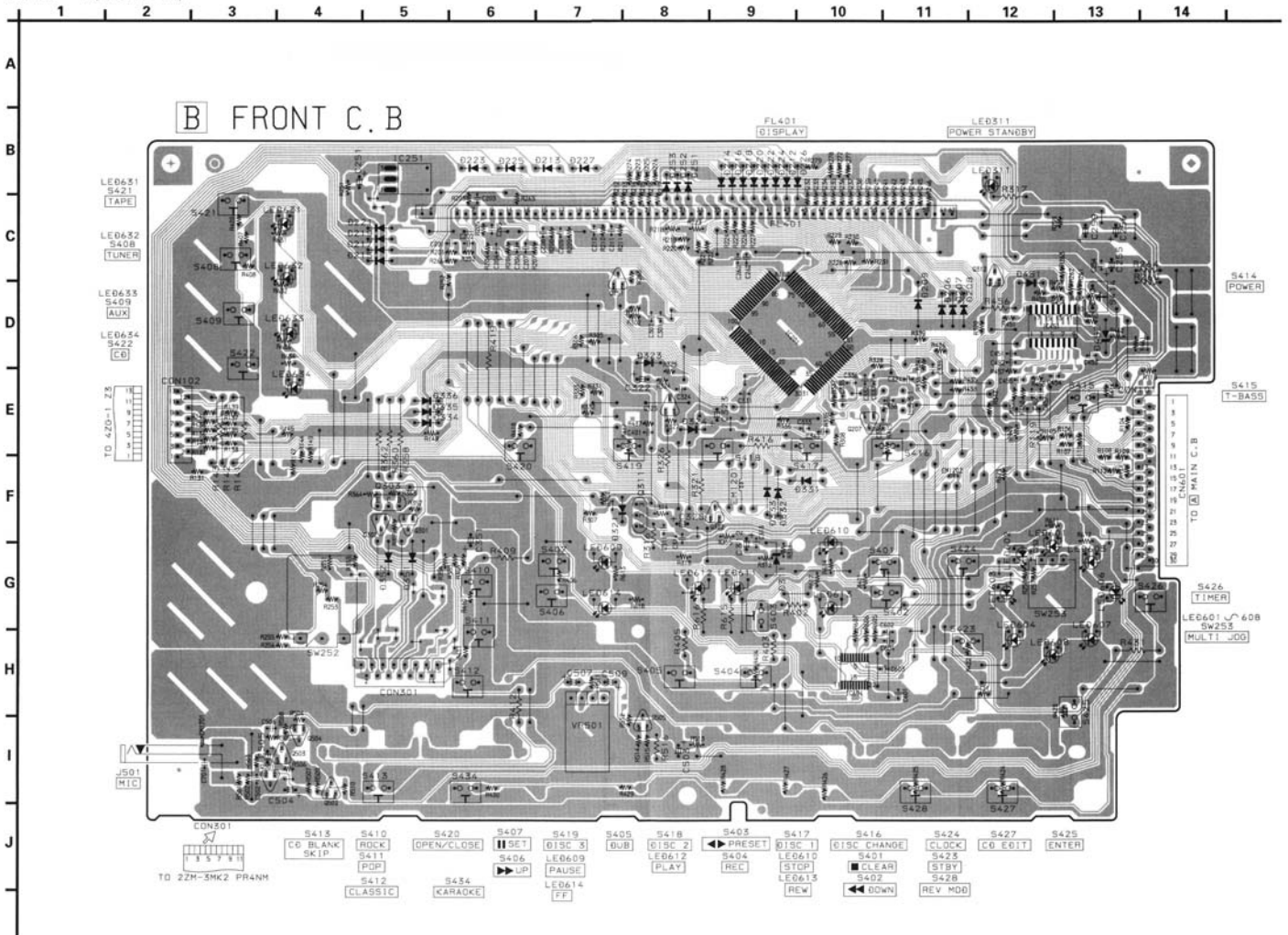
SCHEMATIC DIAGRAM - 3 (FRONT : U)



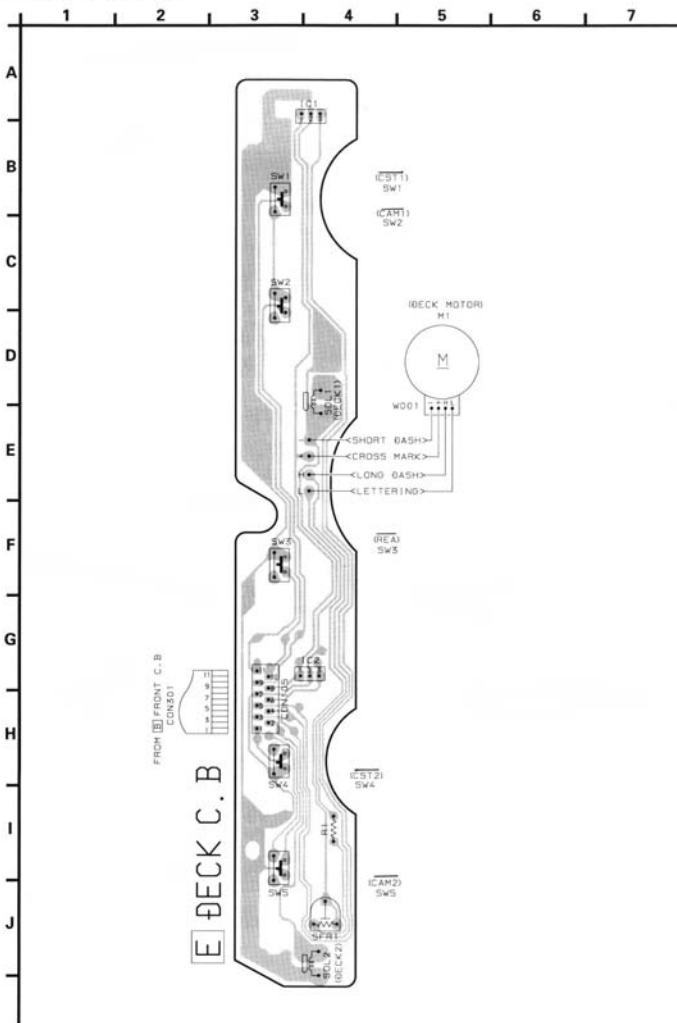
SCHEMATIC DIAGRAM - 4 (FRONT : LH)



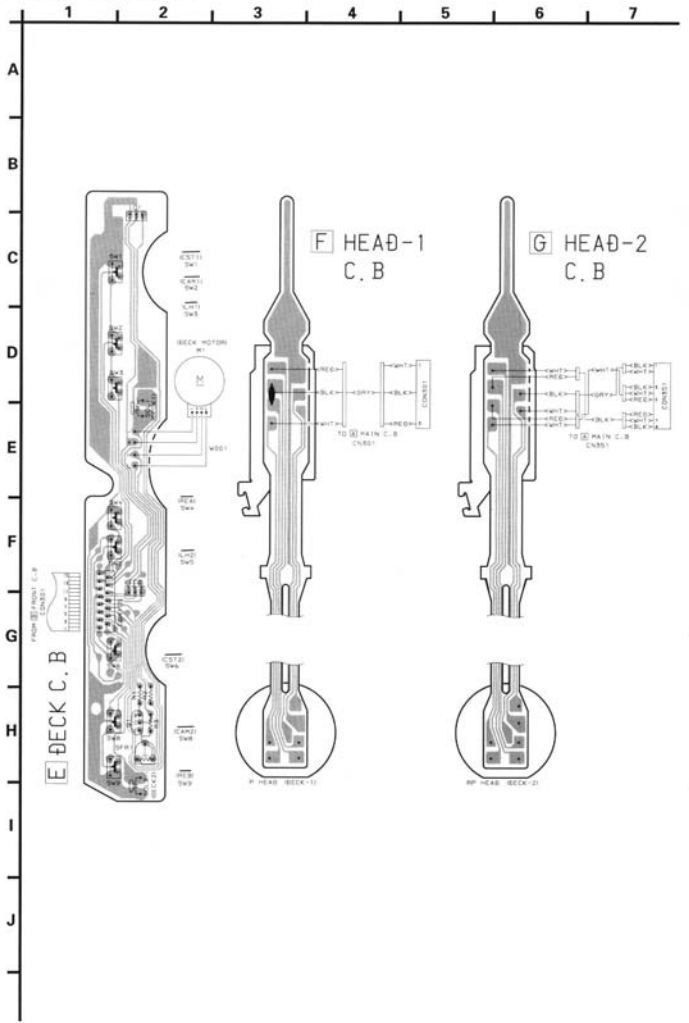
WIRING - 4 (FRONT : LH)



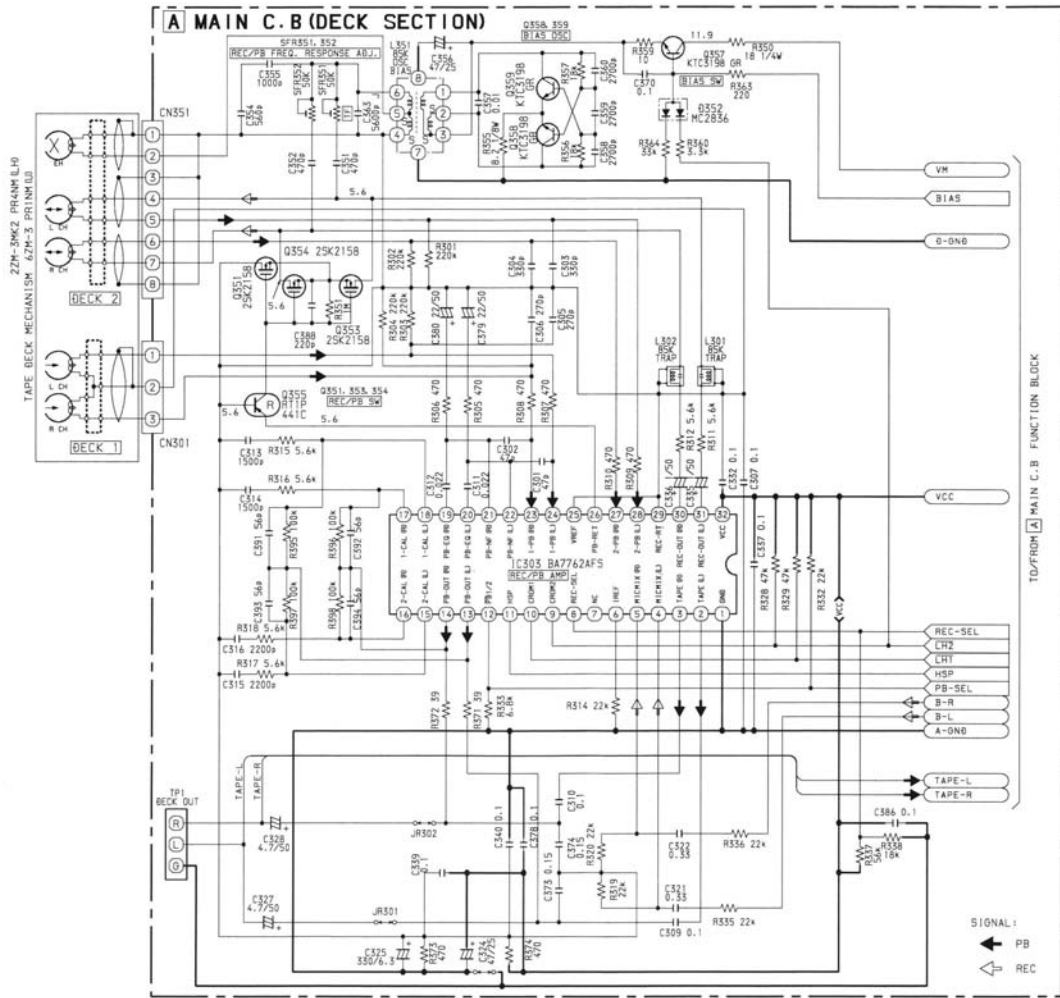
WIRING - 5 (DECK : U)



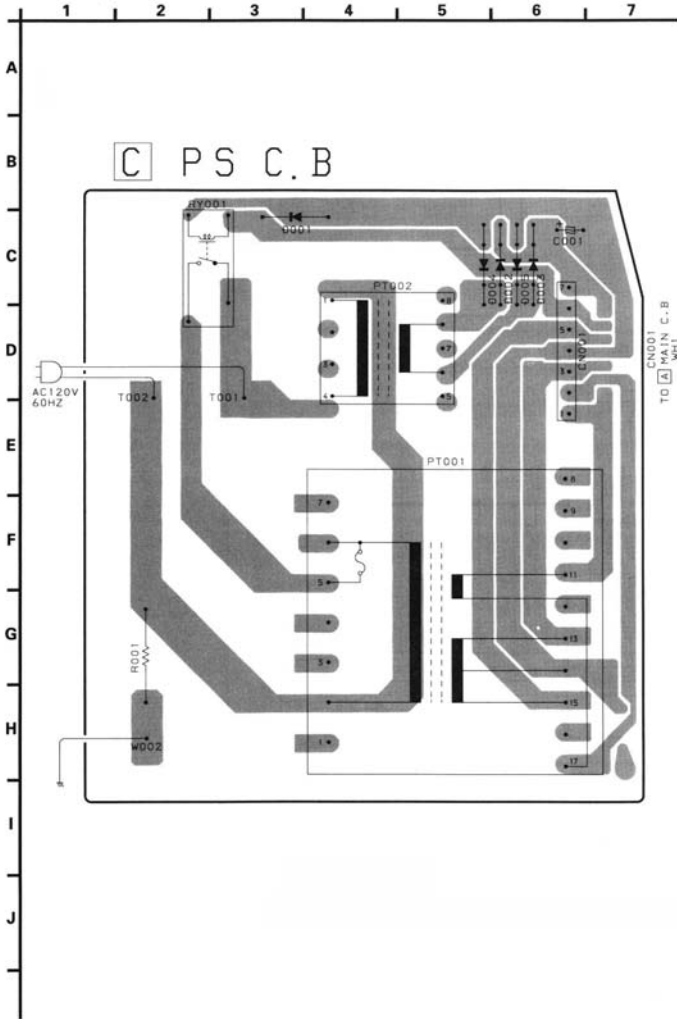
WIRING - 6 (DECK : LH)



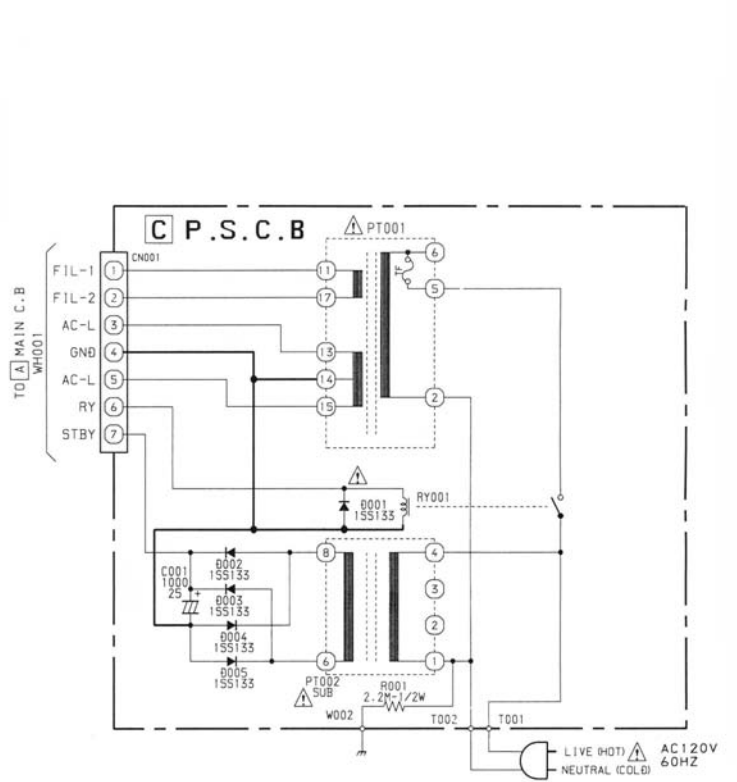
SCHEMATIC DIAGRAM - 5 (DECK)



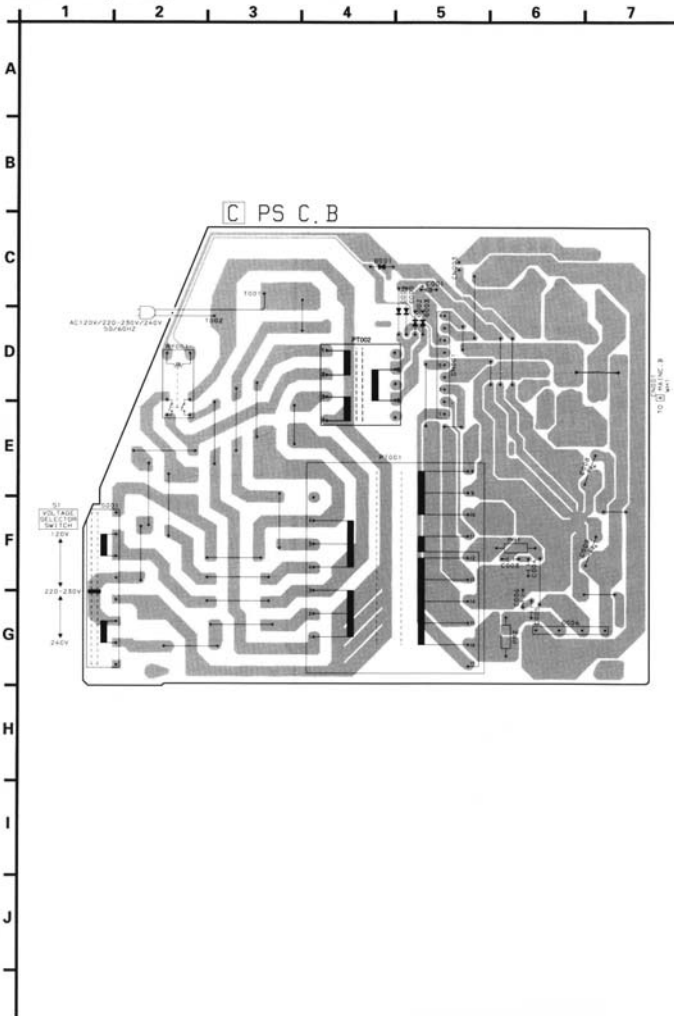
WIRING - 7 (PS : U)



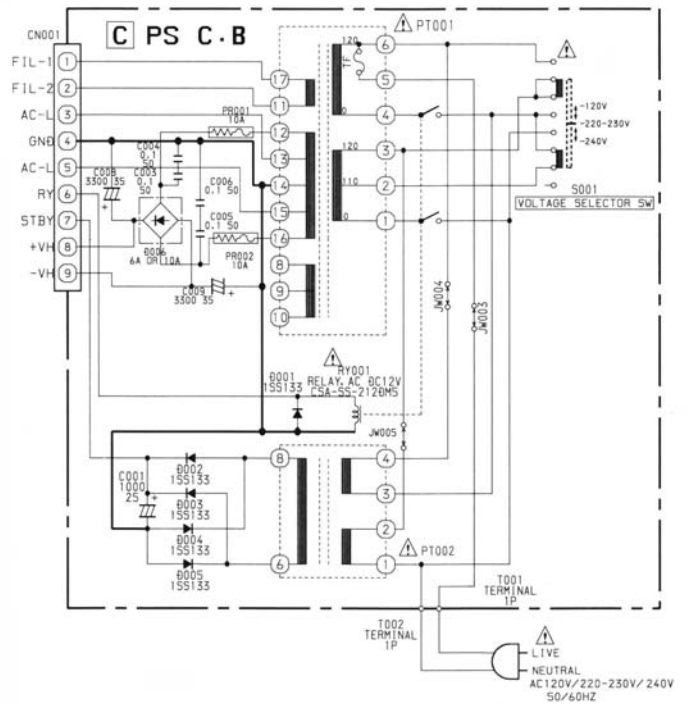
SCHEMATIC DIAGRAM - 6 (PS : U)



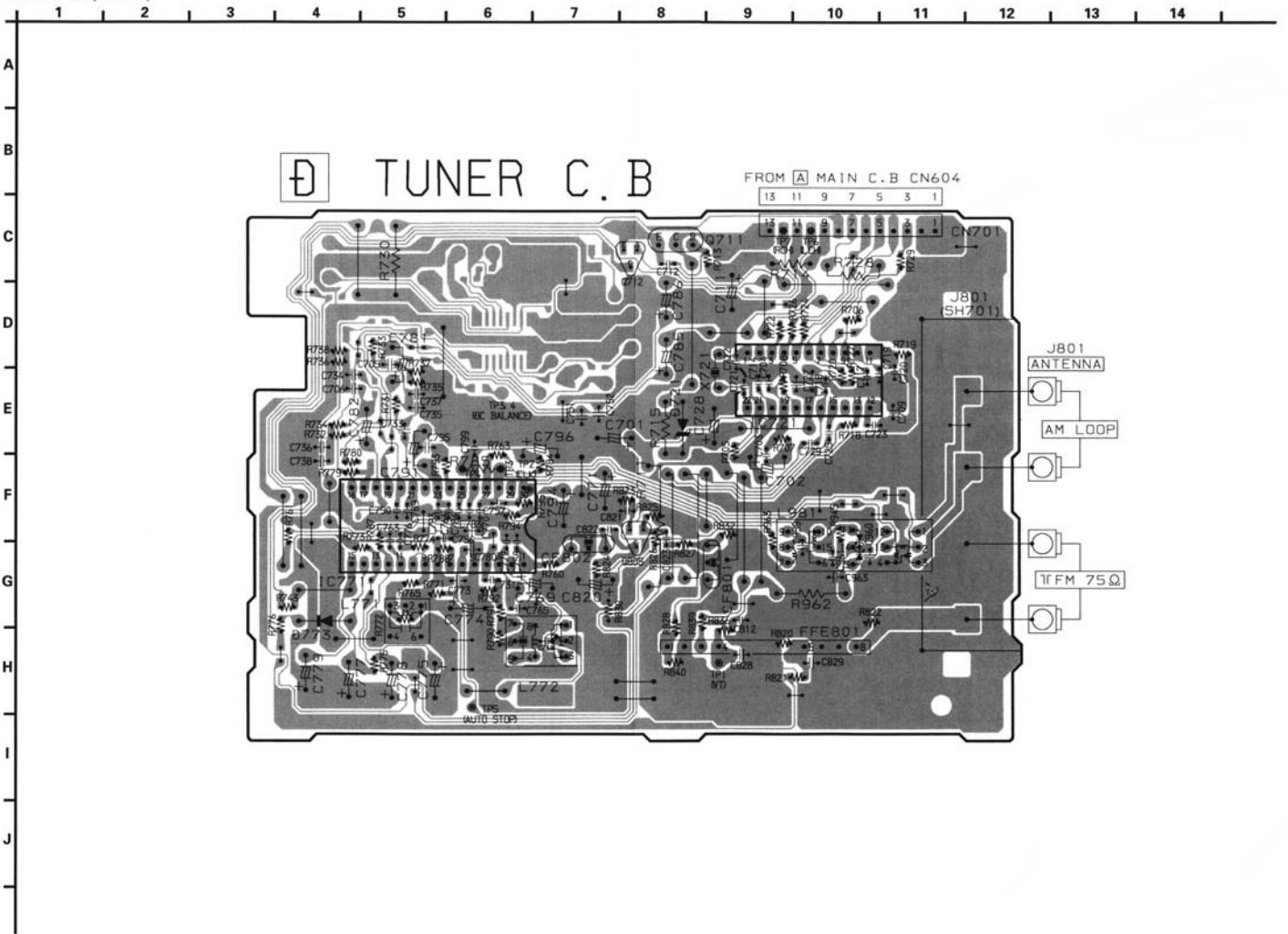
WIRING - 8 (PS : LH)



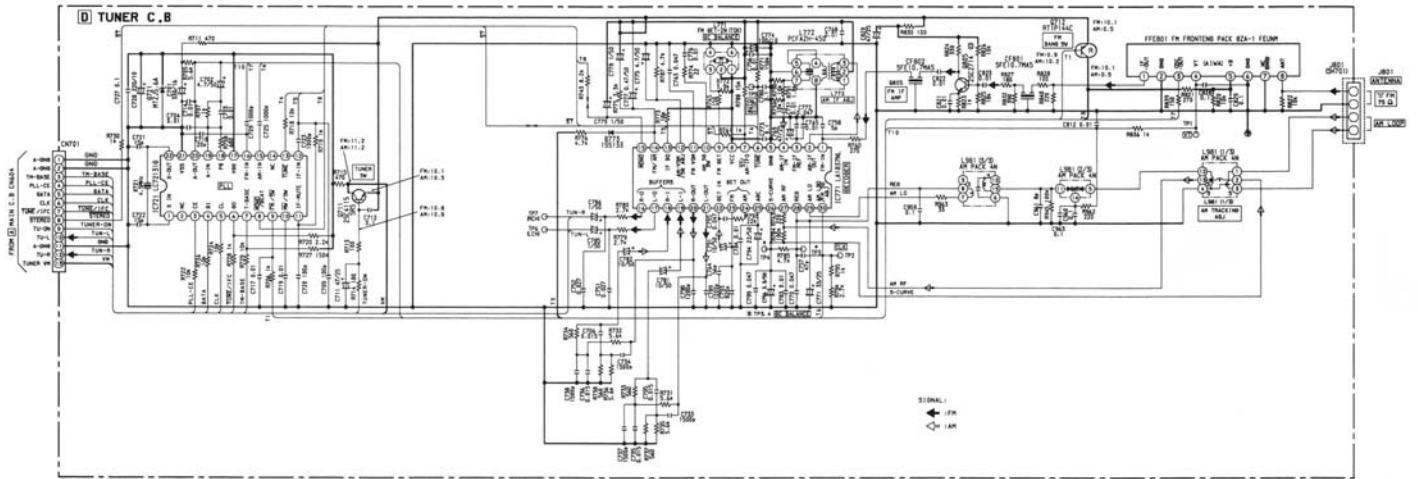
SCHEMATIC DIAGRAM - 7 (PS : LH)



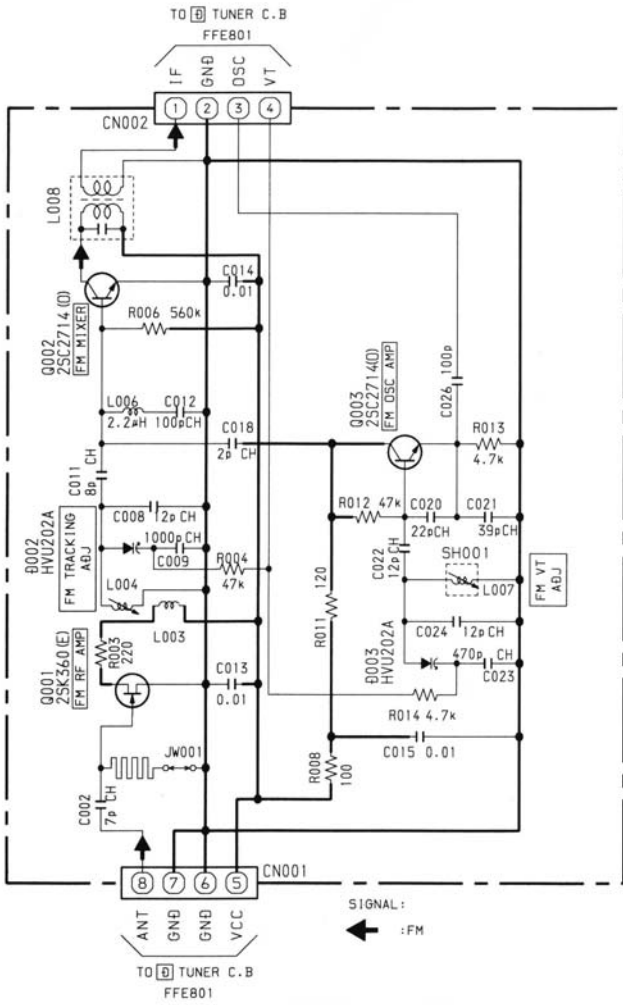
WIRING - 9 (TUNER)



SCHEMATIC DIAGRAM - 8 (TUNER)

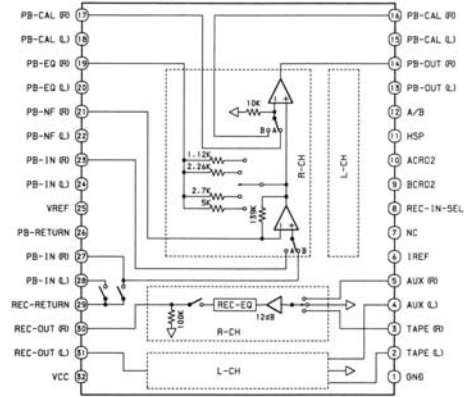


SCHEMATIC DIAGRAM - 9 (TUNER FRONT END)

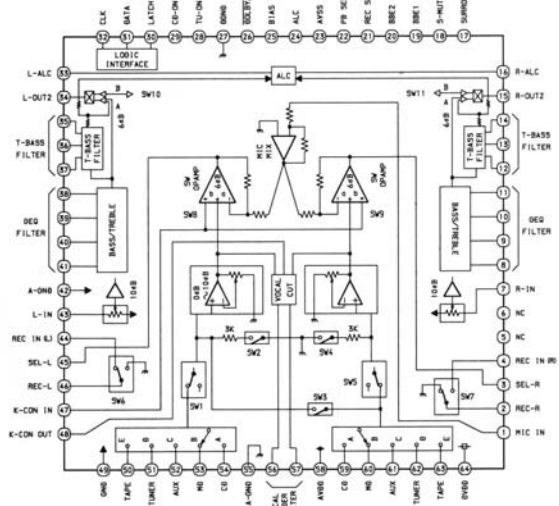


IC BLOCK DIAGRAM

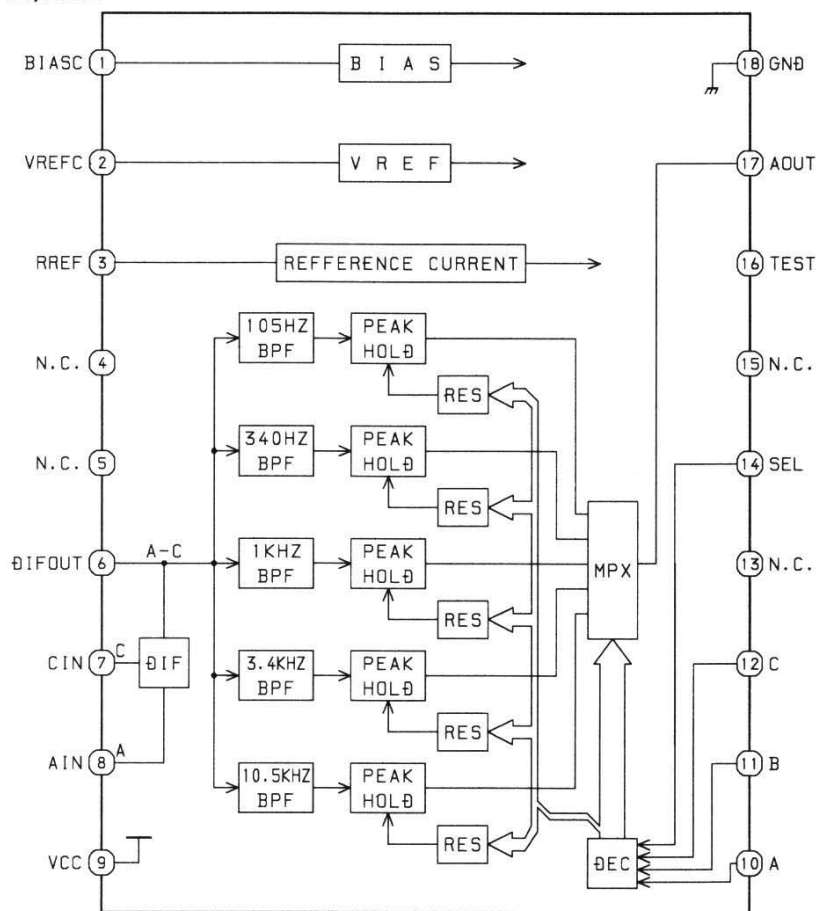
IC, BA7762AFS



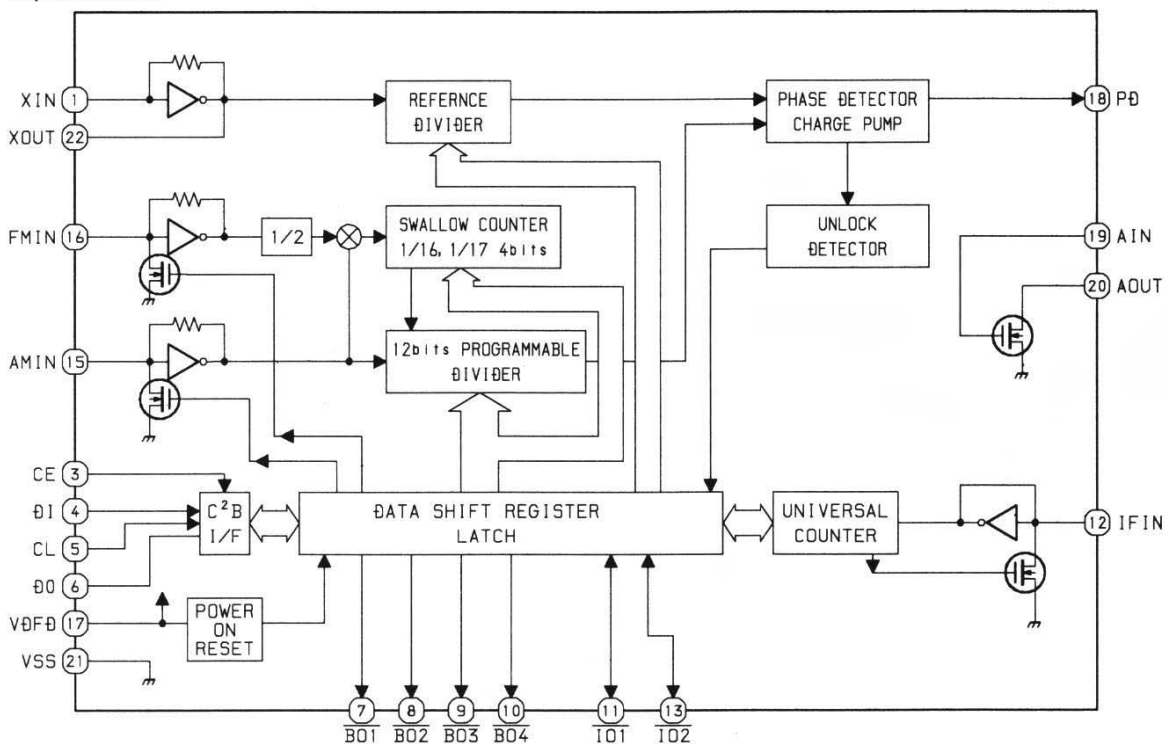
IC, M62445FP-600D



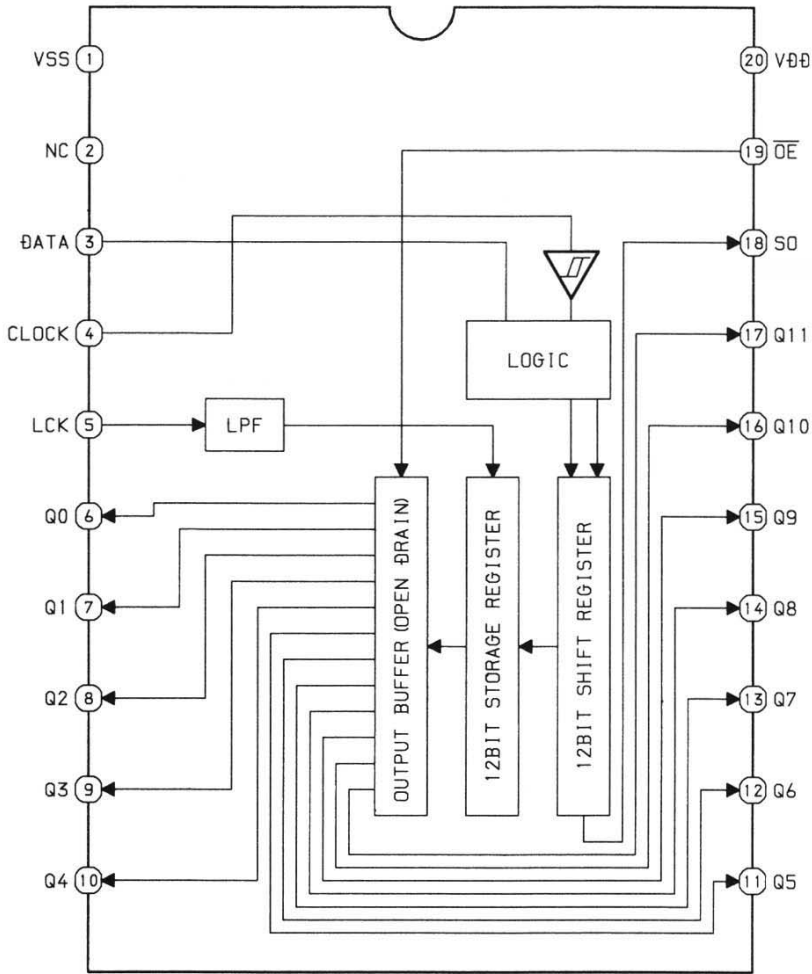
IC, BA3835F



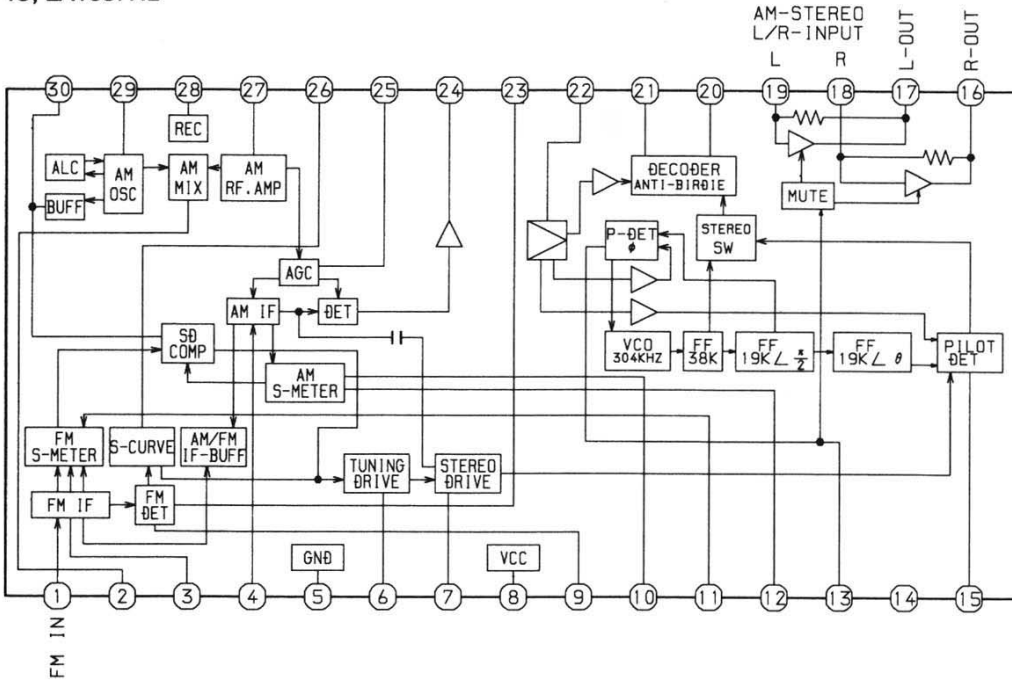
IC, LC72131D



IC, BU2099FV



IC, LA1837NL



IC DESCRIPTION

IC, UPD780228

Pin No.	Pin Name	I/O	Description
1	$\overline{\text{O-K-SCAN}}$	O	Key scan output.
2	I-JOG-A	I	Dial jog rotary encoder input A.
3	I-JOG-B	I	Dial jog rotary encoder input B.
4	$\overline{\text{TAPE}}$	O	" TAPE " LED $\overline{\text{ON/OFF}}$ output.
5	$\overline{\text{TUNER}}$	O	" TUNER " LED $\overline{\text{ON/OFF}}$ output.
6	$\overline{\text{AUX}}$	O	" AUX " LED $\overline{\text{ON/OFF}}$ output.
7	$\overline{\text{CD}}$	O	" CD " LED $\overline{\text{ON/OFF}}$ output.
8	$\overline{\text{O-MOTOR}}$	O	DECK MOTOR ON/OFF output.
9	$\overline{\text{O-SOL2}}$	O	DECK2 solenoid output.
10	$\overline{\text{O-SOL1}}$	O	DECK1 solenoid output.
11	O-MUTE	O	System mute ON/OFF output.
12	O-CD.OPEN	O	CD tray open data output.
13	O-CD.CLOSE	O	CD tray close data output.
14	O-STB (SHIFT)	O	Latch strobe output for FRONT shift register.
15	$\overline{\text{I-HP-MUTE}}$	I	Headphone insert detection input.
16	I-TM-BASE	I	Base input for clock.
17	IC	-	Internal connection (connected to GND).
18	VSS	-	GND.
19	VDD	-	Power supply.
20	O-POWER	O	System power supply ON/OFF output.
21	O-STB (M)	O	Strobe output for MAIN.
22	O-CLOCK (M)	O	Clock output for MAIN.
23	O-DATA (M)	O	Data output for MAIN.
24	O-CD.DISH.F	O	CD turntable forward rotation output.
25	O-CD.DISH.R	O	CD turntable reverse rotation output.
26	$\overline{\text{I-WRQ/I-STEREO}}$	I	CD WRQ input / Tuner stereo input.
27	$\overline{\text{I-DRF/I-IFCNT}}$	I	CD DRF input / Tune IF count serial data input.
28	I-RDS-CLK	I	Tuner RDS clock input.
29	$\overline{\text{I-SUBQ/I-RDS DATA}}$	I	CD SUBQ data input / RDS data input.
30	$\overline{\text{RESET}}$	-	System reset.
31	O-DATA	O	CD data output.
32	O-CDCLK	O	CD clock output.
33	O-CD-CE	O	CD enable output.
34	$\overline{\text{I-RMC}}$	I	System remote control input.
35	$\overline{\text{I-DISH.SENS}}$	I	CD turntable photo sensor input.
36	$\overline{\text{O-CLK-SHIFT}}$	O	Micon clock shift output.
37	VDD1	-	Power supply.
38	X2	-	4.19MHz oscillator circuit.
39	X1	-	4.19MHz oscillator circuit.
40	VSS1	-	GND.
41	AVDD	-	Power supply.
42	$\overline{\text{I-HOLD}}$	I	Power failure detected input. " L " to stop clock and main memory.
43	I-CD.SW	I	CD mecha switch input.
44	I-SPEANA	I	AD input for spectrum analyser.
45	I-RE.VOL	I	Volume jog AD input.

Pin No.	Pin Name	I/O	Description
46	I-RDS-SIG	I	RDS tuner signal input.
47	I-KEY3	I	Key3 input.
48	I-KEY2	I	Key2 input.
49	I-KEY1	I	Key1 input.
50	AVSS	-	GND.
51	O-CDLED	O	CD flash window LED ON/OFF output.
52	O-PLL-CE	O	Chip enable output for tuner PLL.
53 ~ 58	P1 ~ P6	O	FL segment P1 ~ P6 output.
59	P7/REV2	I/O	FL segment P7 output / REV2 data input.
60	P8/REV1	I/O	FL segment P8 output / REV1 data input.
61	P9/AM10K	I/O	FL segment P9 output / AM10K data input.
62	P10/AMST.WIDE	I/O	FL segment P10 output / AMST WIDE data input.
63	P11/LW	I/O	FL segment P11 output / LW mode data input.
64	P12/SW	I/O	FL segment P12 output / SW mode data input.
65	P13/FM1	I/O	FL segment P13 output / FM1 mode data input.
66	P14/RDS	I/O	FL segment P14 output / RDS data input.
67	P15/CST2	I/O	FL segment P15 output / DECK2 cassette detect switch data input.
68	P16/REB	I/O	FL segment P16 output / DECK2 side B record OK switch data input.
69	P17/CAM2	I/O	FL segment P17 output / DECK2 CAM switch data input.
70	P18/AUTO1	I/O	FL segment P18 output / DECK1 AUTO STOP switch data input.
71	P19/AUTO2	I/O	FL segment P19 output / DECK2 AUTO STOP switch data input.
72	P20/CAM1	I/O	FL segment P20 output / DECK1 CAM switch data input.
73	P21/CST1	I/O	FL segment P21 output / DECK1 cassette detect switch data input.
74	P22/REA	I/O	FL segment P22 output / DECK2 side A record OK switch data input.
75	P23/KARAOKE	I/O	FL segment P23 output / KARAOKE data input.
76	P24/PROLOGIC	I/O	FL segment P24 output / PROLOGIC data input.
77	P25/NO DEMO	I/O	FL segment P25 output / NO DEMO data input.
78	P26	O	FL segment P26 output
79	VDD2	-	Power supply.
80	-VFL	-	Power supply for FL display.
81	SPEANA-A/P27	O	Spectrum analyser band switching data output / FL segment P27 output.
82	SPEANA-B/P28	O	Spectrum analyser band switching data output / FL segment P28 output.
83	SPEANA-C/P29	O	Spectrum analyser band switching data output / FL segment P29 output.
84 ~ 89	P30 ~ P35	O	FL segment P30 ~ P35 output.
90 ~100	G11 ~ G1	O	FL grid G10 ~ G1 output.

PRACTICAL SERVICE FIGURE

<TUNER SECTION>

FM SECTION

IHF Sensitivity : Less than 10dB(at 87.5/ 98.0/108.0MHz)
Signal to noise ratio : More than 68dB(at 98.0MHz)<MONO>
More than 66dB(at 98.0MHz)<STEREO>
Distortion : Less than 1.2%(at 98.0MHz) <MONO>
Less than 2.0%(at 98.0 MHz) <STEREO>
Stereo separation : More than 22dB (at 98.0MHz)
Intermediate frequency : 10.7MHz

MW SECTION

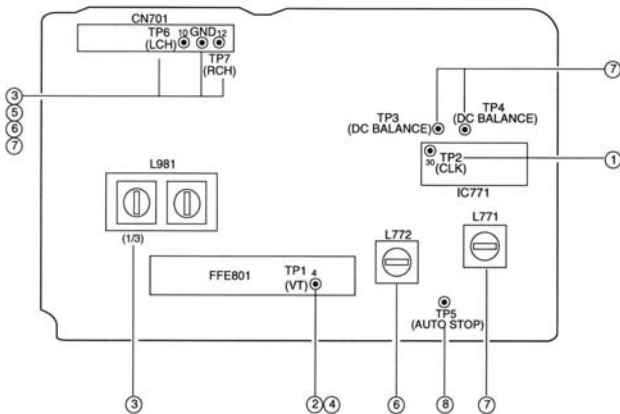
Sensitivity : Less than 60 dB (at 603kHz)
Less than 58 dB (at 1000/1404kHz)
S/N : More than 36 dB (at 1000kHz)
Distortion : Less than 1.5% (at 1000kHz)
Intermediate frequency : 450kHz

<DECK SECTION>

Tape speed : 3000Hz \pm 45Hz
Wow & flutter : Less than 0.25% (W.R.M.S.)
Take-up torque : 30 ~ 55g-cm
F.F & REW torque : 75 ~ 180g-cm
Back tension : 2 ~ 7g-cm (FWD,REV)
PB Output level : 2.8V \pm 2dB (SP OUT 2V)
REC/PB Output level : 2.0V \pm 1dB (SP OUT 2V)
Distortion (REC/PB) : Less than 2.0%
Noise level (PB) : Less than 1.0mV(FILTER DIN AUDIO)
Noise level (REC/PB) : Less than 1.2mV(FILTER DIN AUDIO)
Erasing ratio : More than 60dB (at 125Hz)
Test Tape : TTA-602

ADJUSTMENT <TUNER>

D TUNER C.B

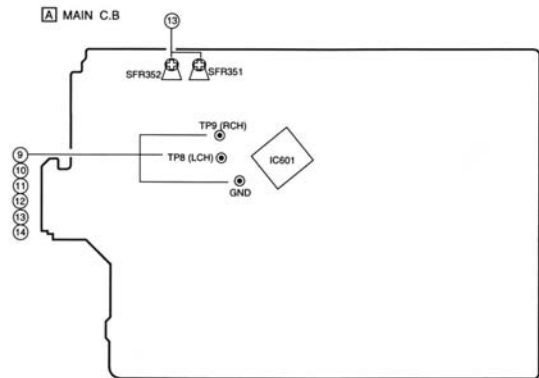


< TUNER SECTION >

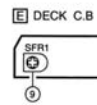
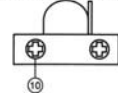
- Clock Frequency Check**
 Settings : • Test point : TP2
 Method : Set to AM 1710kHz and check that the test point is 2160kHz ± 45Hz.
- AM VT Check**
 Settings : • Test point : TP1
 Method : Set to AM 1710kHz and AM 530kHz and check that the test point is less than 8.5V(1710kHz) and more than 0.6V(530kHz).
- AM Tracking Adjustment**
 Settings : • Test point : TP6(Lch), TP7(Rch)
 • Adjustment location : L981(1/3) 1000kHz
 Method : Set to AM 1000kHz and adjust L981(1/3) so that the test point becomes max.
- FM VT Check**
 Settings : • Test point : TP1
 Method : Set to FM 108.0MHz and check that the test point is less than 8.0V.
 Set to FM 87.5MHz and check that the test point is more than 0.5V.
- FM Tracking Check**
 Settings : • Test point : TP6(Lch), TP7(Rch)
 Method : Set to FM 98.0MHz and check that the test point is less than 9.0dBuV.
- AM IF Adjustment**
 Settings : • Test point : TP6(Lch), TP7(Rch)
 • Adjustment location : L772 450kHz
 Method : Adjust L772 so that the output becomes max
- DC Balance / Mono Distortion Adjustment**
 Settings : • Test point : TP3, TP4 (DC Balance)
 TP6(Lch), TP7(Rch) (Distortion)
 • Adjustment location : L771
 • Input level : 60dBuV
 Method : Set to FM 98.0MHz and adjust L771 so that the voltage between TP3 and TP4 becomes 0V ± 0.04V.
 Next, check that the distortion is less than 1.3%.
- Auto Stop Level Check**
 AM
 Settings : • Test point : TP5
 • Input level : 52dBuV
 Method : Set to AM 1000kHz and check that the auto stop is at 52dBuV +10/-15dB.
 FM
 Settings : • Test point : TP5
 • Input level : 25dBuV
 Method : Set to FM 98.0MHz and check that the auto stop is at 25dBuV ± 10dB.

ADJUSTMENT <DECK>

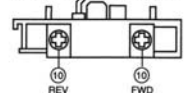
A MAIN C.B



DECK-1 P HEAD (U ONLY)
DECK-2 R/P/E HEAD (U ONLY)



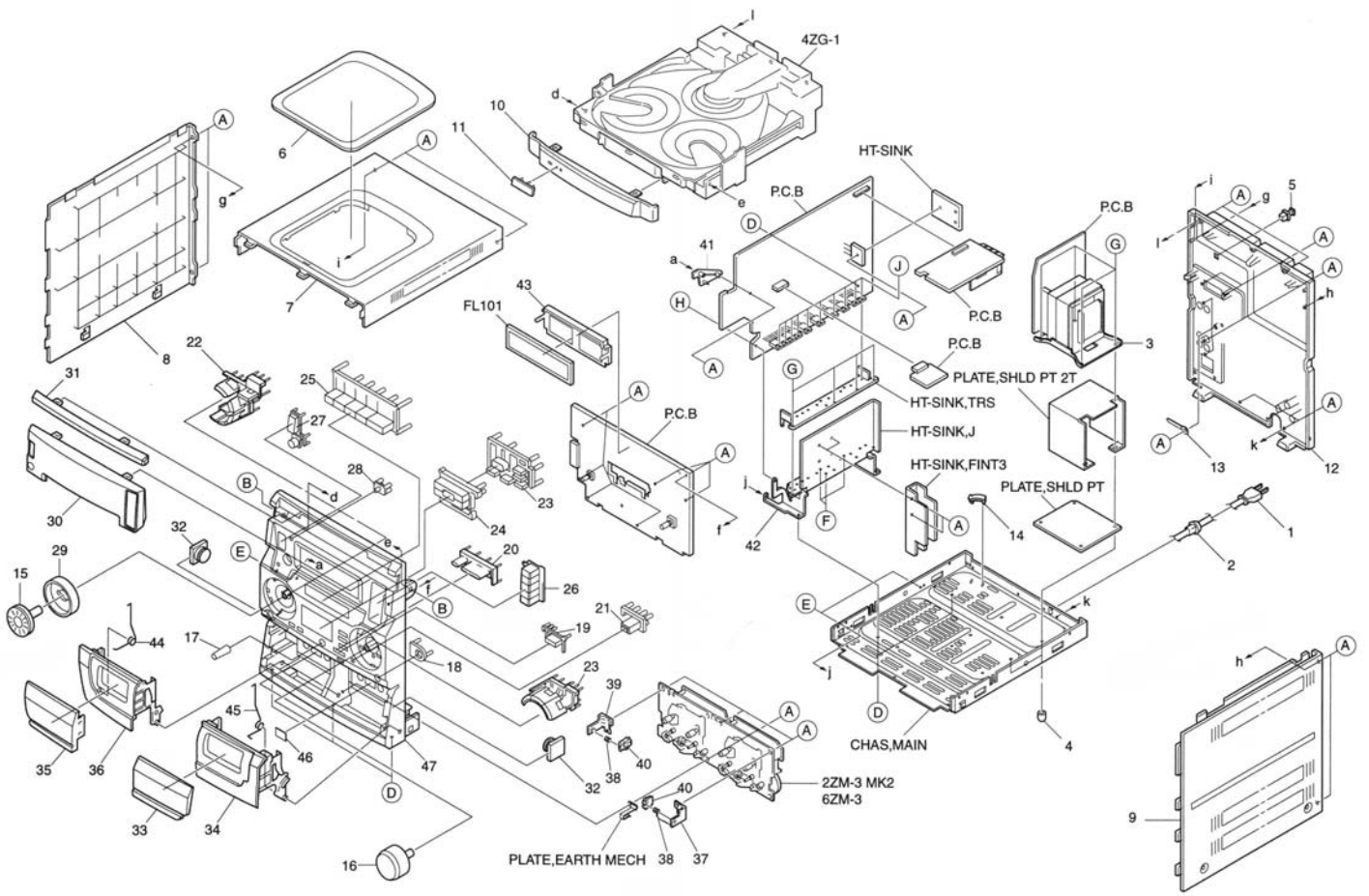
DECK-1 P HEAD (LH ONLY)
DECK-2 R/P/E HEAD (LH ONLY)



< DECK SECTION >

- Tape Speed Adjustment (DECK 1, DECK 2)**
 Settings : • Test tape : TTA-100
 • Test point : TP8(Lch), TP9(Rch)
 • Adjustment location : SFR1
 Method : Play back the test tape and adjust SFR1 so that the frequency counter reads 3000Hz ± 5Hz (FWD) and ±45Hz (REV) with respect to forward speed.
- Head Azimuth Adjustment (DECK 1, DECK 2)**
 Settings : • Test tape : TTA-330
 • Test point : TP8(Lch), TP9(Rch)
 • Adjustment location : Head azimuth adjustment screw
 Method : Play back (FWD) the 8kHz signal of the test tape and adjust screw so that the output becomes maximum.
 Next, perform on REV PLAY mode.
- PB Frequency Response Check (DECK 1, DECK 2)**
 Settings : • Test tape : TTA-330
 • Test point : TP8(Lch), TP9(Rch)
 Method : Play back the 315Hz and 8kHz signals of the test tape and check that the output ratio of the 8kHz signal with respect to that of the 315Hz signal is within 5dB.
- PB Sensitivity Check (DECK 1, DECK 2)**
 Settings : • Test tape : TTA-200
 • Test point : TP8(Lch), TP9(Rch)
 Method : Play back the test tape and check that the output level of the test point is 300mV ± 3dB.
- REC/PB Frequency Response Adjustment (DECK 1)**
 Settings : • Test tape : TTA-602
 • Test point : TP8(Lch), TP9(Rch)
 • Input signal : 1kHz / 10kHz (LINE IN)
 • Adjustment location : SFR351 (Lch) SFR352 (Rch)
 Method : Apply a 1kHz signal and REC mode. Then adjust OSC attenuator so that the output level at the TP8, TP9 becomes -20VU(-30.2dBV). Record and play back the 1kHz and 10kHz signals and adjust SFRs so that the output of the 10kHz signals becomes 0dB ± 0.5dB with respect to that of the 1kHz signal.
- REC/PB Sensitivity Check (DECK 1)**
 Settings : • Test tape : TTA-602
 • Test point : TP8(Lch), TP9(Rch)
 • Input signal : 1kHz (LINE IN)
 Method : Apply a 1kHz signal and REC mode. Then adjust OSC attenuator so that the output level at TP8, TP9 becomes 0VU (-10.2dBV). Record and play back the 1kHz signals and check that the output is 0dB ± 3.5dB.

MECHANICAL EXPLODED VIEW 1 / 1

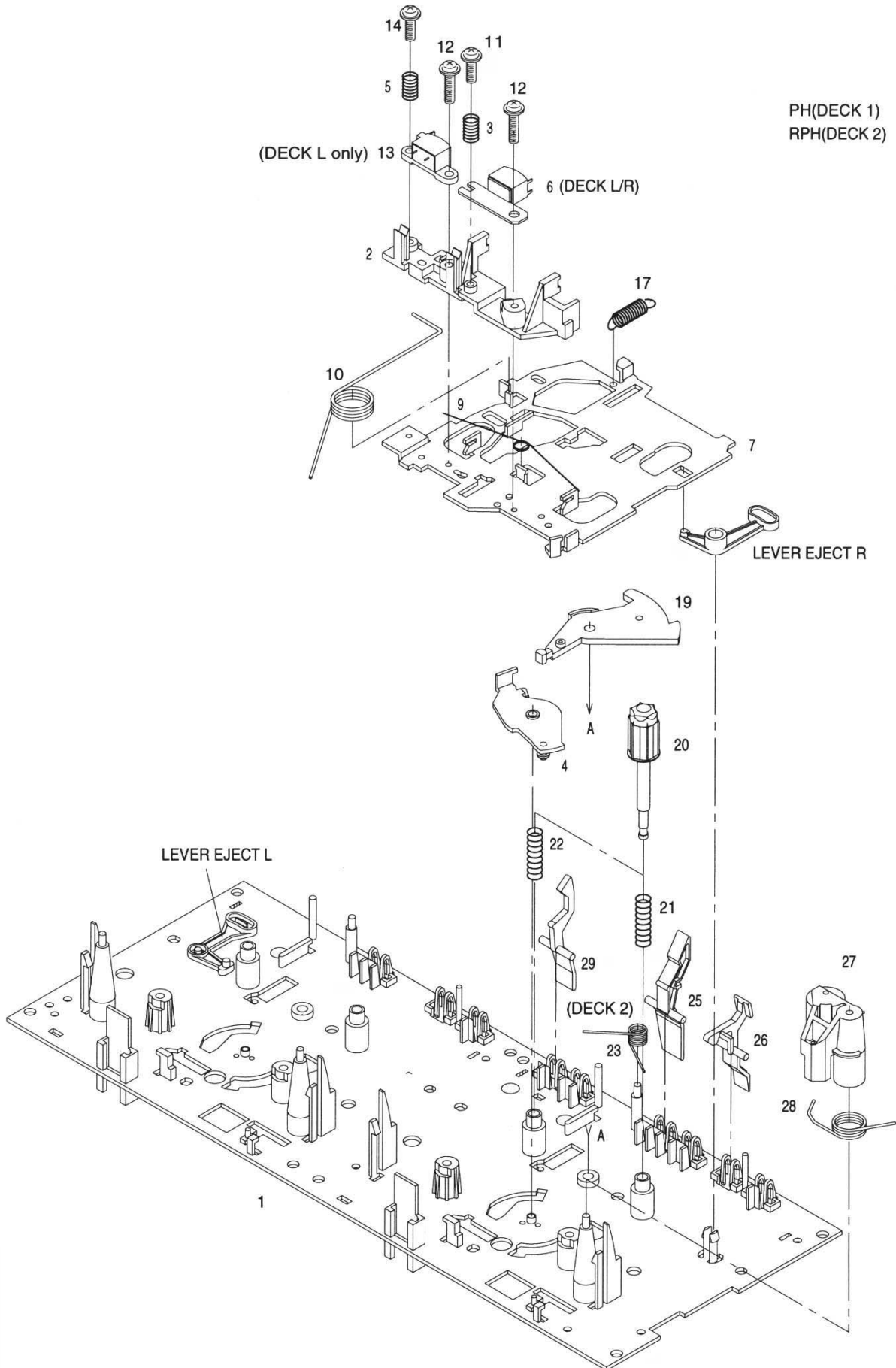


MECHANICAL PARTS LIST 1 / 1

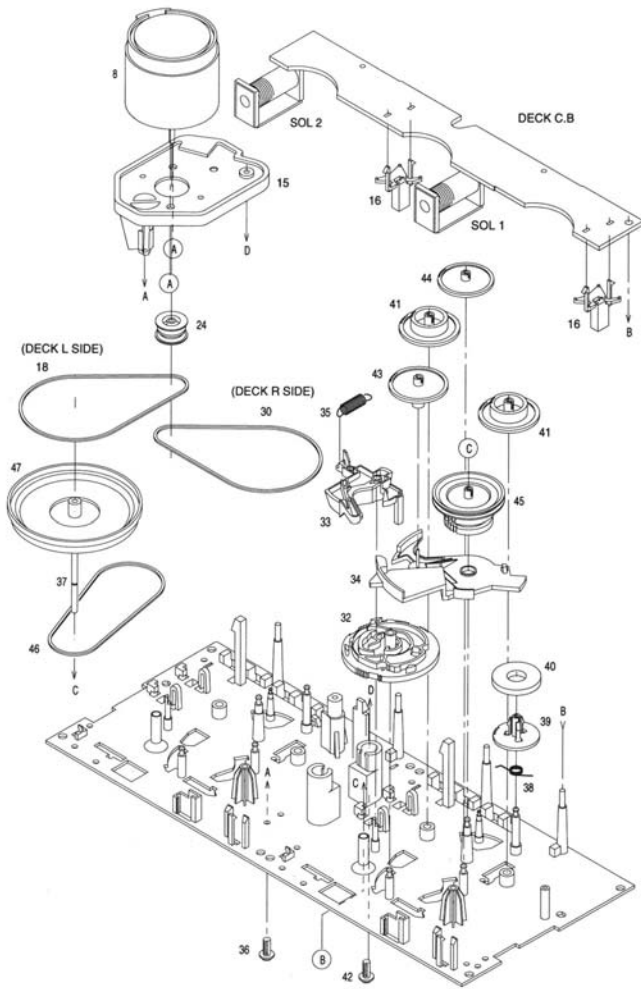
If can't understand for Description please kindly refer to "REFERENCE NAME LIST".

REF. NO	PART NO.	KANRI NO.	DESCRIPTION	REF. NO	PART NO.	KANRI NO.	DESCRIPTION
△ 1	87-A80-110-010		AC CORD ASSY, U SPT-2W<USTFD, USTM>	28	8Z-NF8-007-010		REFLECTOR, ECO
△ 1	87-050-079-010		AC-CORD ASSY, E<LHSTM>	29	8Z-NF8-029-010		REFLECTOR, JOG
2	87-085-185-010		BUSHING, AC CORD (E)<LHSTM>	30	8Z-NF8-034-010		WINDOW, DISP H<LHSTM>
2	87-085-189-010		BUSHING, CORD (U)<USTFD, USTM>	30	8Z-NF8-023-010		WINDOW, DISP U<USTFD, USTM>
△ 3	8Z-NF8-609-010		PT, ZNF-8LH<LHSTM>	31	8Z-NF8-024-010		WINDOW, CD
△ 3	8Z-NF8-604-010		PT, ZNF-8U<USTFD, USTM>	32	87-NF8-220-010		DMPR, 150
4	8Z-NB8-240-010		COVER, PL	33	8Z-NF8-022-010		WINDOW, CASS 2
5	84-ZG1-245-210		CAP, OPTICAL	34	8Z-NF8-038-010		BOX, CASS 2H<LHSTM>
6	86-NFZ-001-010		WINDOW, TOP	34	8Z-NF8-004-010		BOX, CASS 2U<USTFD, USTM>
7	8Z-NF9-042-010		PANEL, TOP V-2	35	8Z-NF8-021-010		WINDOW, CASS 1
8	8Z-NB8-011-110		PANEL, LEFT V-2<LHSTM>	36	8Z-NF8-037-010		BOX, CASS 1H<LHSTM>
8	8Z-NB8-011-010		PANEL, LEFT V-2<USTFD, USTM>	36	8Z-NF8-003-010		BOX, CASS 1U<USTFD, USTM>
9	8Z-NF9-043-010		PANEL, RIGHT S V-2	37	87-NF4-217-010		HLDR, LOCK 2
10	8Z-NF8-025-010		PANEL, TRAY U	38	86-NF9-224-010		SPR-C, LOCK
11	82-NE6-067-010		BADGE, AIWA 30N	39	87-NF4-216-010		HLDR, LOCK 1
12	8Z-NF8-042-010		CABI, REAR LHSTNM<LHSTM>	40	82-NF5-229-010		PLATE, LOCK
12	8Z-NF8-047-010		CABI, REAR USTFD<USTFD>	41	88-NF5-208-010		HLDR, PWB-M N
12	8Z-NF8-002-010		CABI, REAR USTNM<USTM>	42	8Z-NF8-205-010		HLDR, HT-SINK
13	87-064-185-010		HLDR, WIRE	43	88-NF8-205-010		GUIDE, FL
14	87-NF4-221-010		HLDR, CABLE<USTFD, USTM>	44	82-NF5-218-010		SPR-T, EJECT 1 (SIN)
15	8Z-NF8-026-010		KNOB, RTRY JOG	45	82-NF5-219-010		SPR-T, EJECT 2 (SIN)
16	8Z-NF8-027-010		KNOB, RTRY VOL	46	81-532-080-010		LABEL, CASS. COMPT
17	8Z-NF8-028-010		KNOB, RTRY MIC<LHSTM>	47	8Z-NF8-033-010		CABI, FR H<LHSTM>
18	8Z-NF9-204-010		PLATE, MIC<LHSTM>	47	8Z-NF8-001-010		CABI, FR U<USTFD, USTM>
19	8Z-NF8-009-010		KEY, EDIT<USTFD, USTM>	A	87-067-703-010		TAPPING SCREW, BVT2+3-10
19	8Z-NF8-048-010		KEY, EDIT H<LHSTM>	B	87-721-097-410		QT2+3-12 GLD
20	8Z-NF8-050-010		KEY, KARAOKE<LHSTM>	C	87-078-191-010		S-SCREW, IT+4-10
21	8Z-NF8-049-010		KEY, ECHO U<USTFD, USTM>	D	87-067-688-010		BVT2+3-6
22	8Z-NF8-008-010		KEY, TIMER	E	87-721-096-410		QT2+3-10 GLD
23	8Z-NF8-013-010		KEY, ASSY PLAY<LHSTM>	F	87-067-758-010		BVT2+3-12 W/O SLOT
23	8Z-NF8-030-010		KEY, ASSY PLAY U<USTFD, USTM>	G	87-067-581-010		TAPPING SCREW, BVT2+3-15
24	8Z-NF8-016-010		KEY, ASSY PAUSE	H	87-NF4-224-010		S-SCREW, IT3B+3-8 CU
25	8Z-NF8-006-010		KEY, CD				
26	8Z-NF8-010-010		KEY, ASSY FUN				
27	8Z-NF8-005-010		KEY, POWER				

TAPE MECHANISM EXPLODED VIEW 1 / 2 <U>



TAPE MECHANISM EXPLODED VIEW 2 / 2 <U>

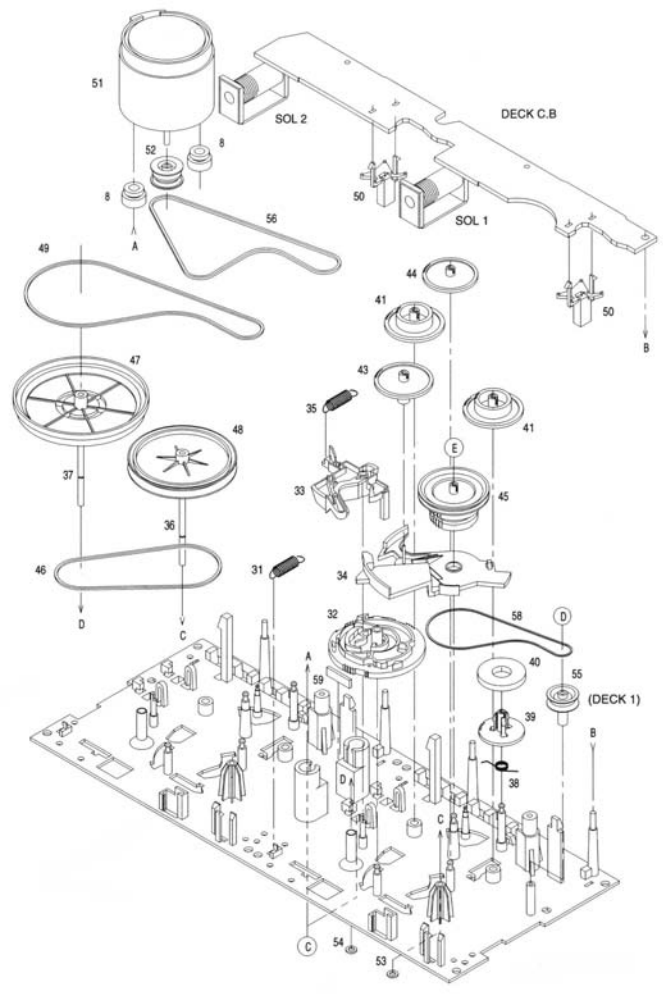
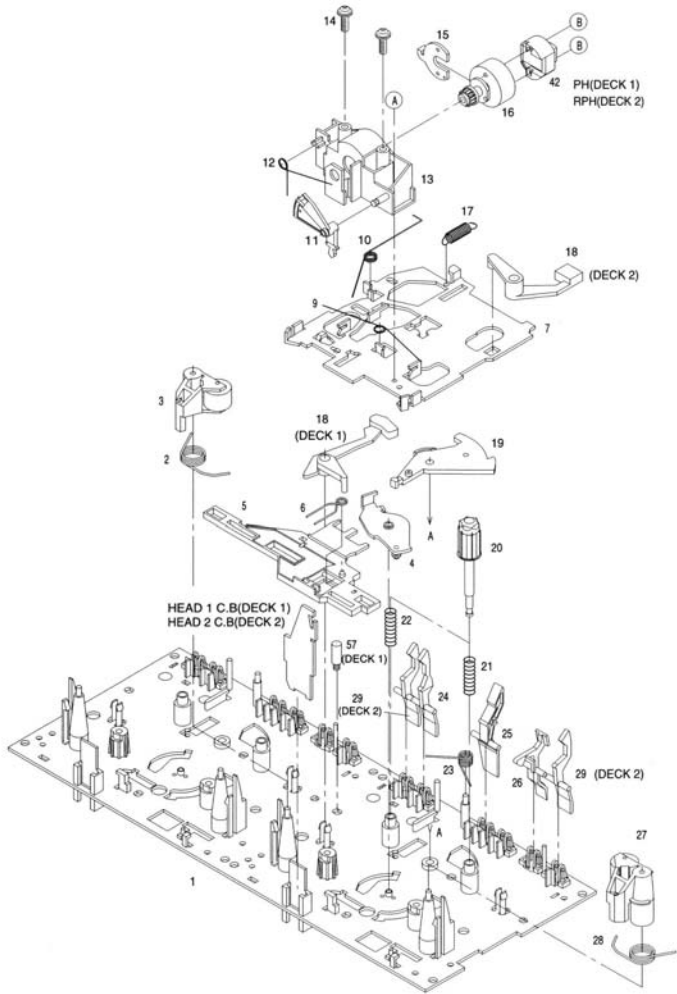


TAPE MECHANISM PARTS LIST 1 / 1 <U>

If can't understand for Description please kindly refer to "REFERENCE NAME LIST".

REF. NO	PART NO.	KANRI NO.	DESCRIPTION	REF. NO	PART NO.	KANRI NO.	DESCRIPTION
1	86-DK-212-010		CHAS ASSY, SS	31	82-DK-223-010		GEAR, PLAY
2	86-DK-202-010		BASE, HEAD S	32	82-DK-305-019		GEAR, CAM M2
3	86-DK-205-010		SFR-C, WFR S	33	82-DK-227-319		LVR, TRIG
4	82-DK-333-210		PLATE, LINK 2	34	82-DK-306-110		LVR, FR M2
5	86-DK-206-010		SFR-C, BH S	35	82-DK-265-119		SFR-S, TRIG
6	87-A90-401-019		HEAD, RPH W615R	36	85-DK-203-019		S-SCRM MOTOR M3
7	86-DK-201-010		CHAS, HEAD S	37	82-DK-216-019		CAPSTAN N 2-41.5
8	87-045-347-019		MOT, SHZIL 70(MI)	37	82-DK-239-019		CAPSTAN N 2.2-41.7
9	82-DK-269-219		SFR-T, DRG	38	82-DK-322-019		SFR-T, FRIG
10	82-DK-323-119		SFR-T, LINK	39	82-DK-220-219		GEAR, IDLER
11	86-DK-209-010		S-SCRM, AZIMUTHS	40	82-DK-616-019		RING, MAGNET 4
12	86-DK-207-010		S-SCRM, RPH	41	82-DK-216-319		GEAR, REEL
13	87-A90-404-019		HEAD, RH L615B	42	85-DK-213-010		S-SCRM, HLDR MOT 3
14	86-DK-208-010		S-SCRM, RH	43	82-DK-225-219		GEAR, PK
15	86-DK-203-010		HLDR, MOT	44	82-DK-226-019		GEAR, RSM
16	82-DK-245-210		HLDR, IC	45	82-DK-333-210		SLIP DISK ASSY 2
17	82-DK-218-019		SFR-S, RS	46	82-DK-338-010		BELT, PH
18	86-DK-211-010		BELT, RS	47	82-DK-349-019		FLY-MG, RM (DECK L)
19	82-DK-222-219		LVR, PLAY	47	82-DK-331-019		FLY-MG, RSM (DECK R)
20	82-DK-217-419		FEEL, TABLE	A	87-251-071-417		DP-2, 6-4
21	82-DK-244-519		SFR-C, BT	B	80-DK-243-019		SH, 1.75-3.6-0.5 SLT
22	82-DK-205-410		SFR-C, BT L				
23	82-DK-257-019		SFR-T, CAS				
24	82-DK-221-010		PULLEY, MOT 2M				
25	82-DK-242-019		LEVER, CAS				
26	82-DK-243-019		LVR, STOP				
27	82-DK-244-119		LVR ASSY, FINCH				
28	86-DK-204-010		SFR-T, FINCH DS				
29	82-DK-240-119		LVR, REC (DECK 2)				
30	86-DK-210-010		BELT, FS				

TAPE MECHANISM EXPLODED VIEW 1 / 1 <LH>

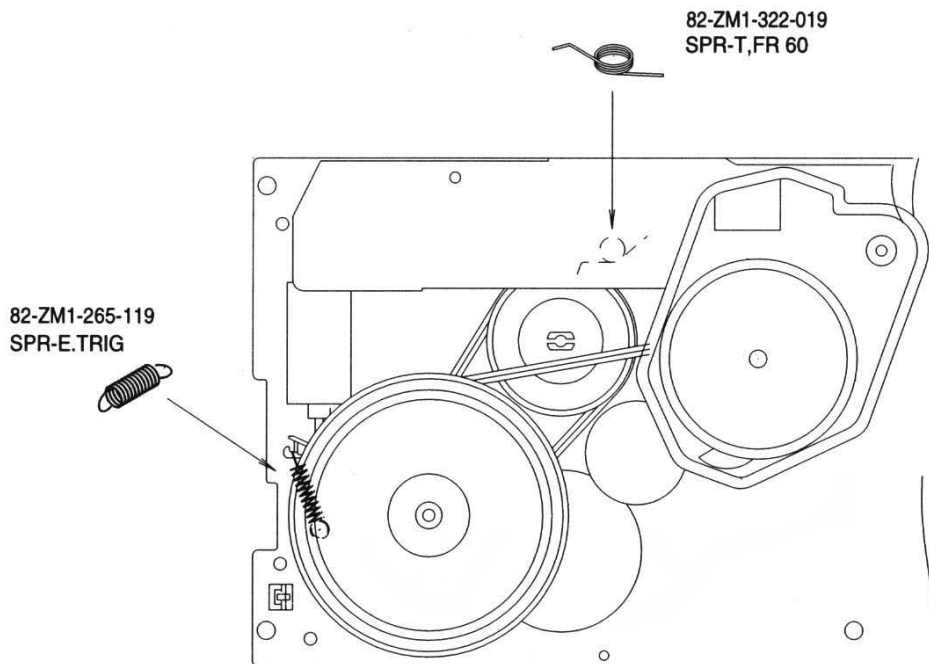
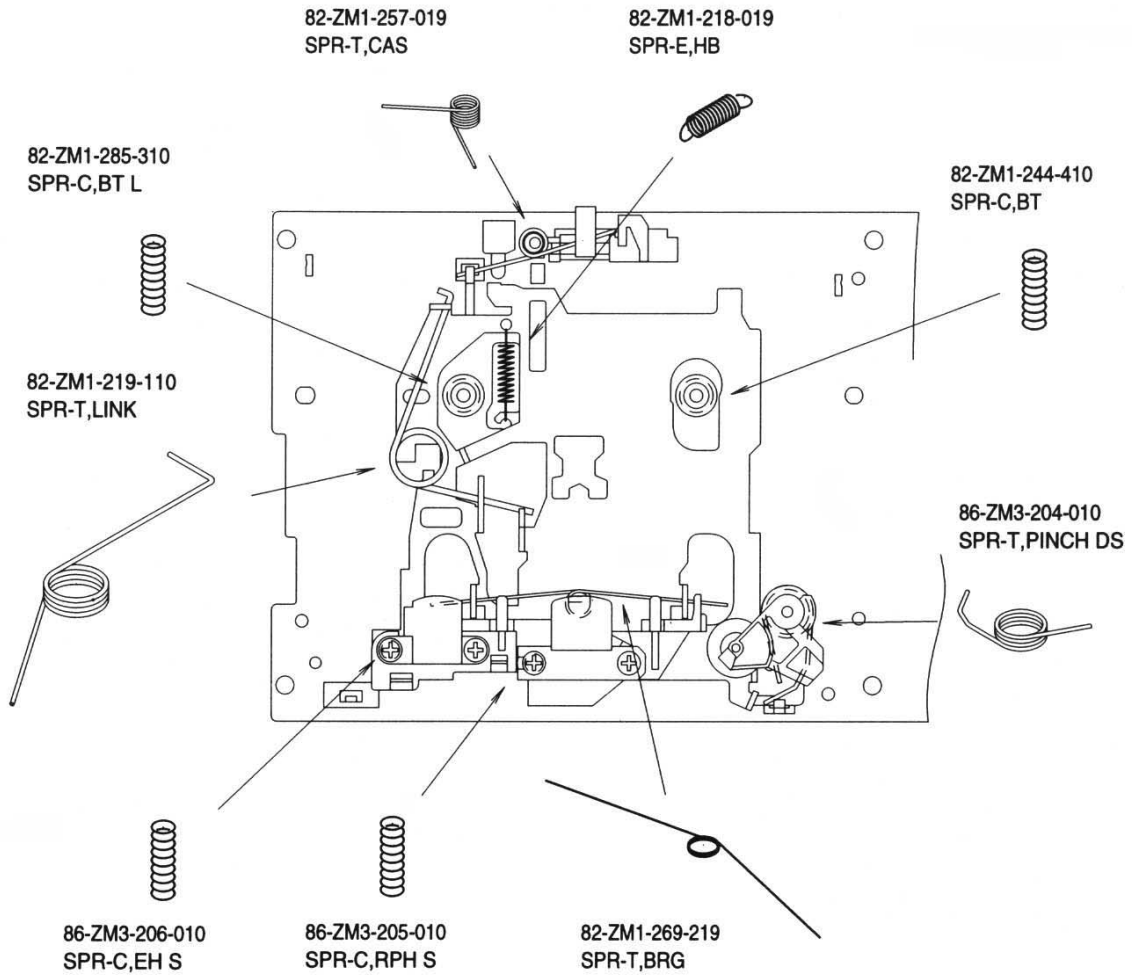


TAPE MECHANISM PARTS LIST 1 / 1 <LH>

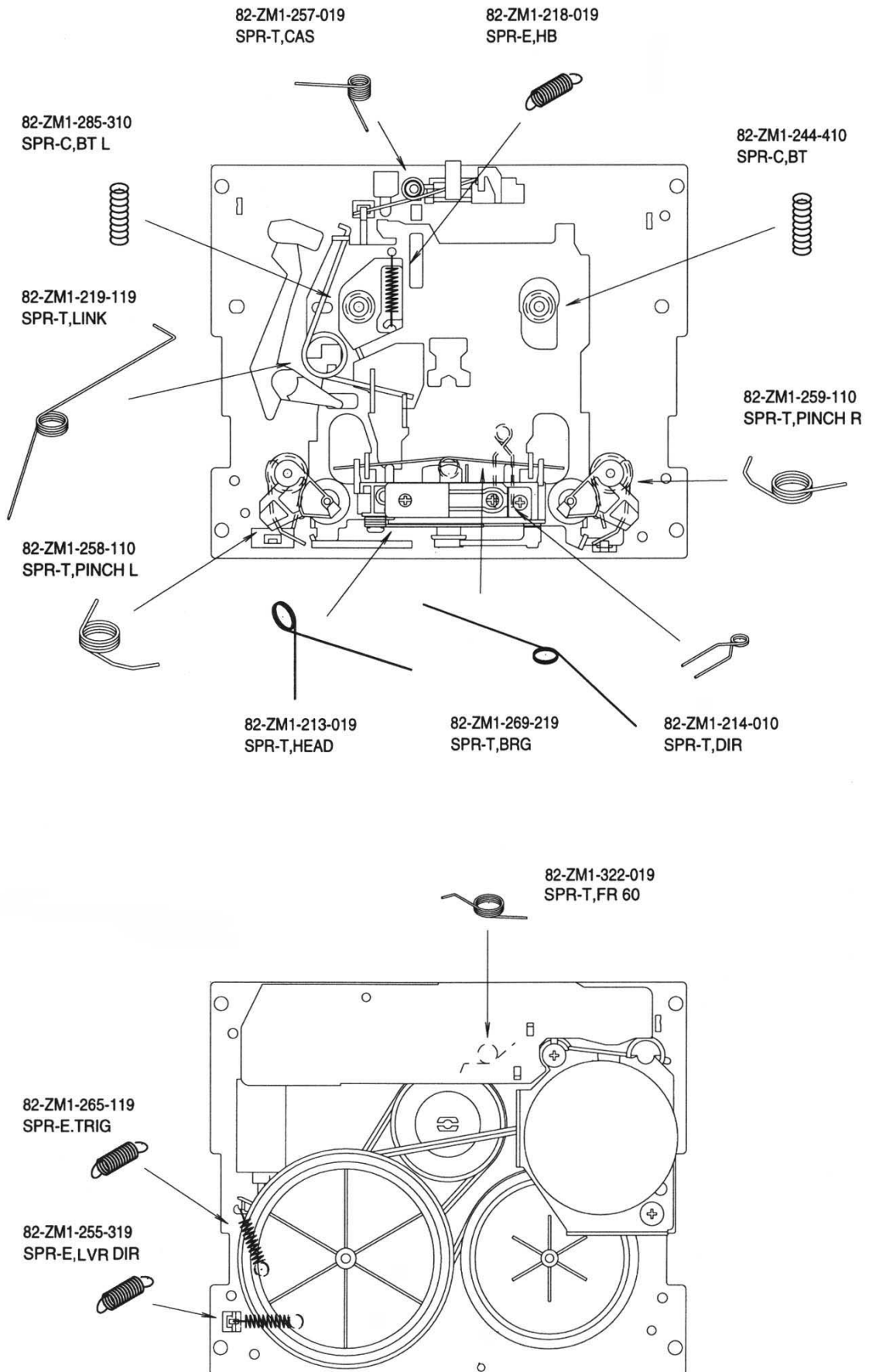
If can't understand for Description please kindly refer to "REFERENCE NAME LIST".

REF. NO	PART NO.	KANRI NO.	DESCRIPTION	REF. NO	PART NO.	KANRI NO.	DESCRIPTION
1	82-ZM3-301-519		CHAS ASSY, M2	36	82-ZM1-236-019		CAPSTAN N 2-41.5
2	82-ZM1-258-110		SPR-T, PINCH L	37	82-ZM1-239-019		CAPSTAN N 2.2-41.7
3	82-ZM1-341-110		LVR ASSY, PINCH L2	38	82-ZM1-322-019		SPR-T, PR60
4	82-ZM1-333-010		PLATE, LINK 2	39	82-ZM1-220-219		GEAR, IDLER
5	82-ZM1-266-11K		LVR, DIR	40	82-ZM3-616-019		RING MAGNET 4
6	82-ZM1-214-010		SPR-T, DIR	41	82-ZM1-216-31K		GEAR, REEL
7	82-ZM1-206-81K		CHAS, HEAD	42	87-A90-319-010		HEAD, PH HADKH2 FPC
8	82-ZM3-307-019		CUSH-G, DIA3.7-8-3.2	42	87-A90-320-010		HEAD, RPH HADKH5 FPC
9	82-ZM1-269-219		SPR-T, BRG	43	82-ZM1-225-21K		GEAR, FR
10	82-ZM1-219-119		SPR-T, LINK	44	82-ZM1-226-019		GEAR, REW
11	82-ZM1-210-119		GEAR, H T	45	82-ZM3-333-310		SLIP DISK ASSY 2
12	82-ZM1-213-019		SPR-T, HEAD	46	82-ZM1-338-010		BELT FR4
13	82-ZM1-207-619		GUIDE, TAPE	47	82-ZM1-349-110		FLY-WHL, R W(DECK 2)
14	86-ZM4-206-010		S-SCREW, AZIMUTH	47	82-ZM3-338-110		FLY-WHL, R3 W(DECK 1)
15	82-ZM1-314-119		PLATE, HEAD	48	82-ZM1-348-010		FLY-WHL, L W(DECK 2)
16	82-ZM1-208-119		HLDR, HEAD	48	82-ZM1-348-010		FLY-WHL, L W(DECK 1)
17	82-ZM1-218-019		SPR-E, HB	49	82-ZM3-329-210		BELT, SBU R2
18	82-ZM1-263-110		LVR, EJECT L (DECK 1)	50	82-ZM1-245-210		HLDR, IC
18	82-ZM1-264-010		LVR, EJECT R (DECK 2)	51	87-045-347-019		MOT, SHU2L 70 (M1)
19	82-ZM1-222-21K		LVR, PLAY	52	82-ZM3-221-010		PULLEY, MOT 2M
20	82-ZM1-217-319		REEL TABLE	53	82-ZM1-288-019		SH, 1.63-3.2-0.5 SLT
21	82-ZM1-244-510		SPR-C, BT	54	80-ZM6-243-019		SH, 1.75-3.6-0.5 SLT
22	82-ZM1-285-310		SPR-C, BT L	55	82-ZM3-335-210		PULLEY, COUPLER M3 (DECK 1)
23	82-ZM1-257-019		SPR-T, CAS	56	82-ZM3-337-010		BELT, SBU MOT 2
24	82-ZM1-241-319		LVR, MC	57	82-ZM3-339-010		SHAFT, COUPLER N3 (DECK 1)
25	82-ZM1-242-019		LVR, CAS	58	86-ZM1-206-010		BELT, MAIN L
26	82-ZM1-243-019		LVR, STOP	59	82-ZM3-340-010		SH, BELT D2
27	82-ZM1-344-110		LVR ASSY, PINCH R2	A	85-ZM3-202-010		S-SCREW, TG
28	82-ZM1-259-110		SPR-T, PINCH R	B	80-ZM6-207-019		V+1.6-7
29	82-ZM1-240-11K		LVR, REC (DECK 2)	C	82-ZM3-318-019		S-SCRW MOTOR M2
31	82-ZM1-255-319		SPR-E, LVR DIR	D	87-B10-043-010		W-P, 0.99-4-0.25 SLT
32	82-ZM3-305-01K		GEAR, CAM M2	E	82-ZM3-334-010		PW, 2.16-6-0.4
33	82-ZM1-227-21K		LVR, TRIG				
34	82-ZM3-306-11K		LVR, FR M2				
35	82-ZM1-265-119		SPR-E, TRIG				

SPRING APPLICATION POSITION <U>



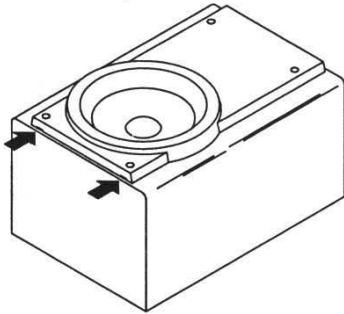
SPRING APPLICATION POSITION <LH>



SPEAKER DISASSEMBLY INSTRUCTIONS

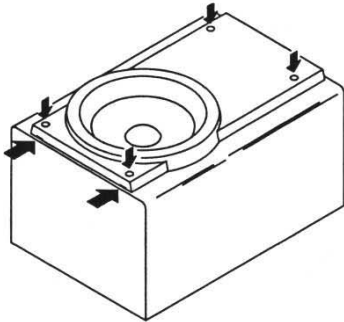
Type.1

Insert a flat-bladed screwdriver into the position indicated by the arrows and remove the panel. Remove the screws of each speaker unit and then remove the speaker units.



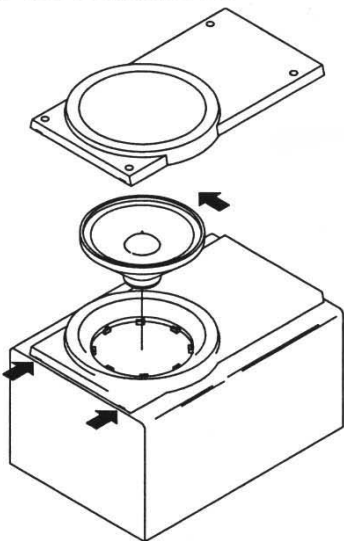
Type.2

Remove the grill frame and four pieces of rubber caps by pulling out with a flat-bladed screwdriver. Remove the screws from hole where installed rubber caps. Insert a flat-bladed screwdriver into the position indicated by the arrows and remove the panel. Remove the screws of each speaker unit and then remove the speaker units.

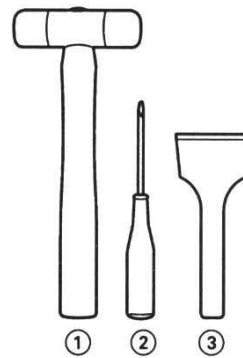


Type.3

Insert a flat-bladed screwdriver into the position indicated by the arrows and remove the panel. Turn the speaker unit to counter-clockwise direction while inserting a flat-bladed screwdriver into one of the hollows around speaker unit, and then remove the speaker unit. After replacing the speaker unit, install it turning to clockwise direction until "click" sound comes out.



Type.4



TOOLS

- ① Plastic head hammer
- ② (⊖) flat head screwdriver
- ③ Cut chisel

How to Remove the PANEL, FR

1. Insert the (⊖) flat head screwdriver tip into the gap between the PANEL, FR and the PANEL, SPKR. Tap the head of the (⊖) flat head screwdriver with the plastic hammer head, and create the clearance as shown in Fig-1.
2. Insert the cut chisel in the clearance, and tap the head of the cut chisel with plastic hammer as shown in Fig-2, to remove the PANEL, FR.
3. Place the speaker horizontally. Tap head of the cut chisel with plastic hammer as shown in Fig-3, and remove the PANEL, FR completely.

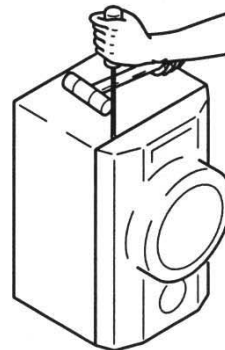


Fig-1

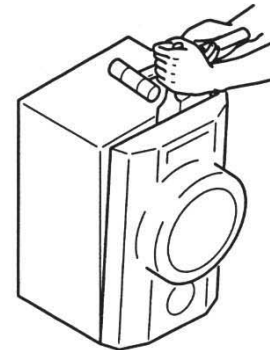


Fig-2

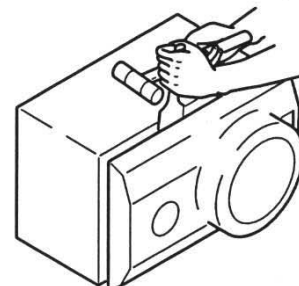


Fig-3

How to Attach the PANEL, FR

Attach the PANEL, FR to the PANEL, SPKR. Tap the four corners of the PANEL, FR with the plastic hammer to fit the PANEL, FR into the PANEL, SPKR completely.


SPEAKER PARTS LIST SX-WNA555 (YU) / SX-WNS555 (YL)

If can't understand for Description please kindly refer to "REFERENCE NAME LIST".

REF. NO.	PART NO.	KANRI NO.	DESCRIPTION
1	88-NS3-029-010		CORD, BUSH L
2	88-NS5-610-010		CORD, SPKR
3	88-NS5-611-010		CORD, SPKR B/L
4	8Z-NS8-002-010		PANEL, BA
5	8Z-NS8-003-010		PROTECTOR, TW
6	8Z-NSY-003-010		CORD, BUSH
7	8Z-NSY-602-010		SPKR, W 160
8	8Z-NSY-604-010		SPKR, M 100

ACCESSORIES / PACKAGE LIST

If can't understand for Description please kindly refer to "REFERENCE NAME LIST".

REF. NO.	PART NO.	KANRI NO.	DESCRIPTION
1	87-006-225-010		AM LOOP ANT NC2
2	8Z-NF8-701-110		RC UNIT, RC-ZAS01
3	8Z-NF8-903-110		IB, U(ESP)M<U>
4	8Z-NF8-902-010		IB, LH(ESP)M<LH>
5	87-043-115-010		ANT, FEEDER FM
 6	87-099-789-010		PLUG CONVERSION IR44<LH>

REFERENCE NAME LIST

ELECTRICAL SECTION

DESCRIPTION	REFERENCE NAME
ANT	ANTENNAS
C-	CHIP
C-CAP	CAP, CHIP
C-CAP TN	CAP, CHIP TANTALUM
C-COIL	COIL, CHIP
C-DI	DIODE, CHIP
C-DIODE	DIODE, CHIP
C-FET	FET, CHIP
C-FOTR	FILTER, CHIP
C-JACK	JACK, CHIP
C-LED	LED, CHIP
C-RES	RES, CHIP
C-SFR	SFR, CHIP
C-SLIDE SW	SLIDE SWITCH, CHIP
C-SW	SWITCH, CHIP
C-TR	TRANSISTOR, CHIP
C-VR	VOLUME, CHIP
C-ZENER	ZENER, CHIP
CAP, CER	CAP, CERA-SOL
CAP, E	CAP, ELECT
CAP, M/F	CAP, FILM
CAP, TC	CAP, CERA-SOL
CAP, TC-U	CAP, CERA-SOL SS
CAP, TN	CAP, TANTALUM
CERA FIL	FILTER, CERAMIC
CF	FILTER, CERAMIC
DL	DELAY LINE
E/CAP	CAP, ELECT
FILT	FILTER
FLTR	FILTER
FUSE RES	RES, FUSE
MOT	MOTOR
P-DIODE	PHOTO DIODE
P-SNSR	PHOTO SENSER
P-TR	PHOTO TRANSISTOR
POLY VARI	VARIABLE CAPACITOR
PPCAP	CAP, PP
PT	POWER TRANSFORMER
PTR, RES	PTR, MELF
RC	REMOTE CONTROLLER
RES NF	RES, NON-FLAMMABLE
RESO	RESONATOR
SHLD	SHIELD
SOL	SOLENOID
SPKR	SPEAKER
SW, LVR	SWITCH, LEVER
SW, RTRY	SWITCH, ROTARY
SW, SL	SWITCH, SLIDE
TC CAP	CAP, CERA-SOL
THMS	THERMISTOR
TR	TRANSISTOR
TRIMER	CAP, TRIMMER
TUN-CAP	VARIABLE CAPACITOR
VIB, CER	RESONATOR, CERAMIC
VIB, XTAL	RESONATOR, CRYSTAL
VR	VOLUME
ZENER	DIODE, ZENER

MECHANICAL SECTION

DESCRIPTION	REFERENCE NAME
ADHESHIVE	SHEET ADHESHIVE
AZ	AZIMUTH
BAR-ANT	BAR-ANTENNA
BAT	BATTERY
BATT	BATTERY
BRG	BEARING
BTN	BUTTON
CAB	CABINET
CASS	CASSETTE
CHAS	CHASSIS
CLR	COLLAR
CONT	CONTROL
CRSR	CURSOR
CU	CUSHION
CUSH	CUSHION
DIR	DIRECTION
DUBB	DUBBING
FL	FRONT LOADING
FLY-WHL	FLYWHEEL
FR	FRONT
FUN	FUNCTION
G-CU	G-CUSHION
HDL	HANDOL
HIMERON	CLOTH
HINGE, BAT	HINGE, BATTERY
HLDR	HOLDER
HT-SINK	HEAT SINK
IB	INSTRUCTION BOOKLET
IDLE	IDLER
IND, L-R	INDICATOR, L-R
KEY, CONT	KEY, CONTROL
KEY, PRGM	KEY, PROGRAM
KNOB, SL	KNOB, SLIDE
LBL	LABEL
LID, BATT	LID, BATTERY
LID, CASS	LID, CASSETTE
LVR	LEVER
P-SP	P-SPRING
PANEL, CONT	PANEL, CONTROL
PANEL, FR	PANEL, FRONT
PRGM	PROGRAM
PULLY, LOAD MO	PULLY, LOAD MOTOR
RBN	RIBBON
S-	SPECIAL
SEG	SEGMENT
SH	SHEET
SHLD-SH	SHIELD-SHEET
SL	SLIDE
SP	SPRING
SP-SCREW	SPECIAL-SCREW
SPACER, BAT	SPACER, BATTERY
SPR	SPRING
SPR-P	P-SPRING
SPR-PC-PUSH	P-SPRING, C-PUSH
T-SP	T-SPRING
TERM	TERMINAL
TRIG	TRIGGER
TUN	TUNING
VOL	VOLUME
W	WASHER
WHL	WHEEL
WORM-WHL	WORM-WHEEL

サービス技術ニュース	
番号	連絡内容
G-	-
G-	-
G-	-

アイワ株式会社
AIWA CO., LTD.

9820527, 931261

Tokyo Japan